

SK752

Operator's Manual



Issue 2.0
Original Instruction

053-2859

Overview

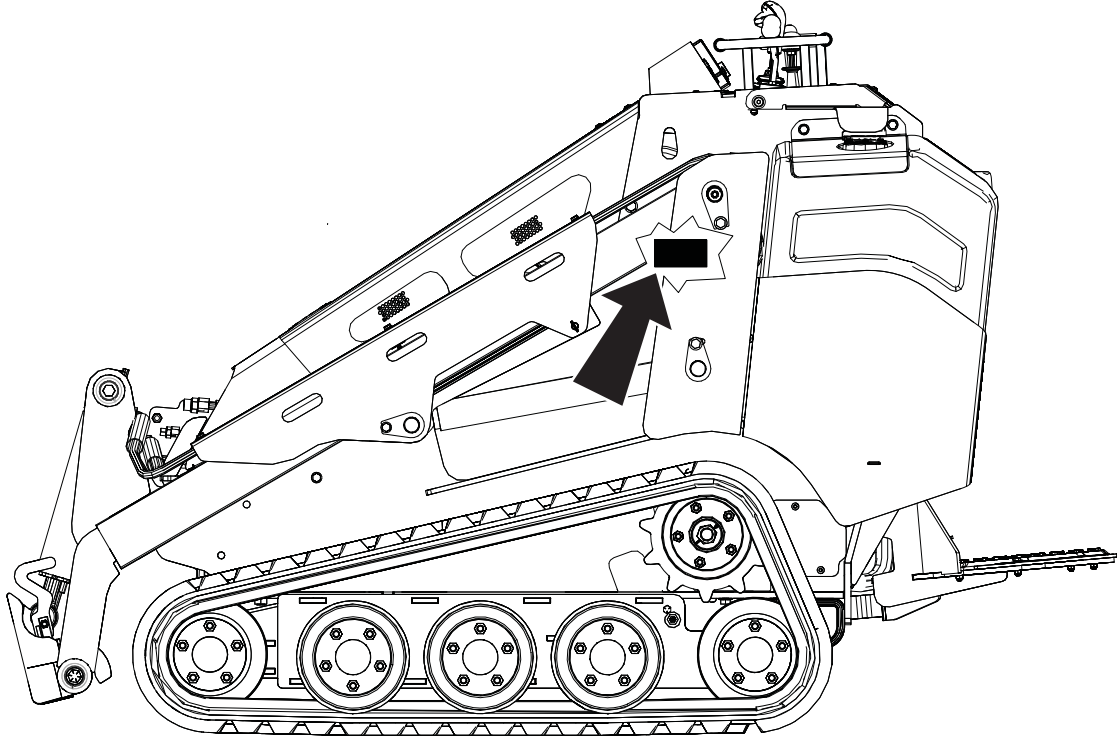


Chapter Contents

Serial Number Location	2
Intended Use	3
Equipment Modification	3
Unit Components	4
Operator Orientation	5
About This Manual	6
• Bulleted Lists.6
• Numbered Lists6

Serial Number Location

Record serial numbers and date of purchase in spaces provided. Unit serial number is located as shown.



t46om013w.eps

Item	
date of manufacture	
date of purchase	
unit serial number	
engine serial number	

Intended Use

The SK752 is a platform, rubber track compact tool carrier unit designed for light-to medium-duty construction work. The SK752 has a quick attach mount plate which makes it easy for an operator to connect different attachments. The unit is designed for operation in temperatures typically experienced in earth moving and construction work environments. Contact your Ditch Witch® dealer for provisions required for operating in extreme temperatures. Use in any other way is considered contrary to the intended use.

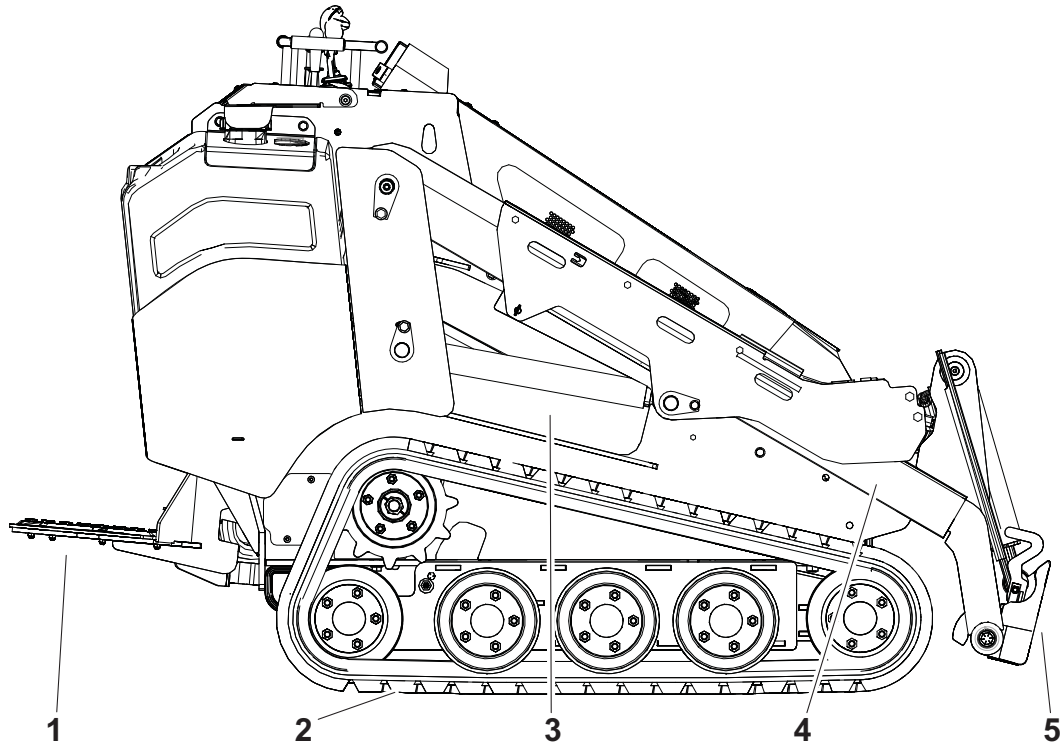
The SK752 should be operated, serviced, and repaired only by persons familiar with its particular characteristics and acquainted with the relevant safety procedures.

Equipment Modification

This equipment was designed and built in accordance with applicable standards and regulations. Modification of equipment could mean that it will no longer meet regulations and may not function properly or in accordance with the operating instructions. Modification of equipment should only be made by competent personnel possessing knowledge of applicable standards, regulations, equipment design functionality/requirements and any required specialized testing.



Unit Components



i46om014w.eps

1. Operator station
2. Tracks
3. Engine compartment
4. Lift arms
5. Attachment plate

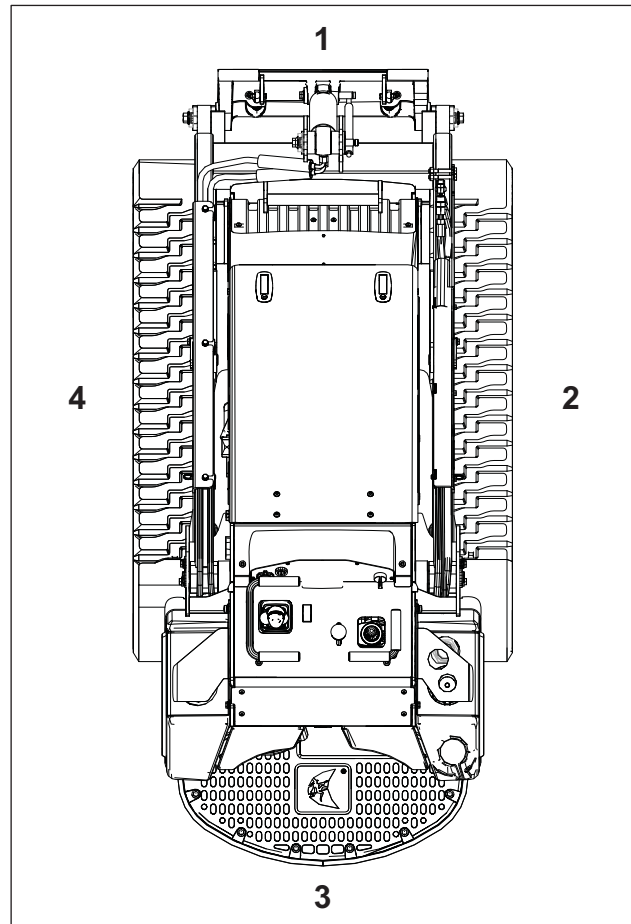
SK752 Operator's Manual

Operator Orientation

Overview - 5

Operator Orientation

1. Front of unit
2. Right side of unit
3. Rear of unit
4. Left side of unit



t46om015w.eps



About This Manual

This manual contains information for the proper use of this machine. See the beige **Operation Overview** pages for basic operating procedures. Cross references such as "See page 50" will direct you to detailed procedures.

Bulleted Lists

Bulleted lists provide helpful or important information or contain procedures that do not have to be performed in a specific order.

Numbered Lists

Numbered lists contain illustration callouts or list steps that must be performed in order.

Foreword



This manual is an important part of your equipment. It provides safety information and operation instructions to help you use and maintain your Ditch Witch® equipment.

Read this manual before using your equipment. Keep it with the equipment at all times for future reference. If you sell your equipment, be sure to give this manual to the new owner.

If you need a replacement copy, contact your Ditch Witch dealer. If you need assistance in locating a dealer, visit our website at www.ditchwitch.com or write to the following address:

The Charles Machine Works, Inc.
Attn: Marketing Department
PO Box 66
Perry, OK 73077-0066
USA

The descriptions and specifications in this manual are subject to change without notice. The Charles Machine Works, Inc. reserves the right to improve equipment. Some product improvements may have taken place after this manual was published. For the latest information on Ditch Witch equipment, see your Ditch Witch dealer.

Thank you for buying and using Ditch Witch equipment.



A CHARLES MACHINE WORKS COMPANY

**SK752
Operator's Manual**

Issue number 2.0 / OM-4/17

Part number 053-2859

Copyright 2015, 2017

by The Charles Machine Works, Inc.



and Ditch Witch are registered trademarks of The Charles Machine Works, Inc.

This product and its use may be covered by one or more patents at <http://patents.charlesmachine.works>.

Contents



	Overview machine serial number, information about the type of work this machine is designed to perform, basic machine components, and how to use this manual	1
	Foreword part number, revision level, and publication date of this manual, and factory contact information	7
	Safety machine safety alerts and emergency procedures	11
	Controls machine controls, gauges, and indicators and how to use them	21
	Prepare procedures for inspecting and classifying the jobsite, planning the installation path (if needed), preparing the jobsite for work, and connecting attachments	31
	Drive procedures for startup, cold start, driving, and shutdown	41
	Transport procedures for lifting, hauling, and towing	47
	Complete the Job procedures for restoring the jobsite and rinsing and storing equipment	55
	Service service intervals and instructions for this machine including lubrication, replacement of wear items, and basic maintenance	57
	Specifications machine specifications including weights, measurements, power ratings, and fluid capacities	79
	Support the warranty policy for this machine, and procedures for obtaining warranty consideration and training	83
	Service Record a record of major service performed on the machine	87



Always follow manufacturer instructions

Contents - 10

SK752 Operator's Manual

Safety

Chapter Contents

Guidelines	12
California Proposition 65 Warning	12
Emergency Procedures	13
• Electric Strike Description	13
• If an Electric Line is Damaged	14
• If a Gas Line is Damaged	15
• If a Fiber Optic Cable is Damaged	16
• If Machine Catches on Fire	16
Safety Alert Classification	17
Machine Safety Alerts	18



Guidelines



When you see this safety alert sign, carefully read and follow all instructions.

YOUR SAFETY IS AT STAKE. Read this entire section before using your equipment.

Follow these guidelines before operating any jobsite equipment:

- Complete proper training and read operator's manual before using equipment.
- Mark proposed path with white paint and have underground utilities located before working. In the US or Canada, call 811 (US) or 888-258-0808 (US and Canada). Also contact any local utilities that do not participate in the One-Call service. In countries that do not have a One-Call service, contact all local utility companies to have underground utilities located.
- Classify jobsite based on its hazards and use correct tools and machinery, safety equipment, and work methods for jobsite.
- Mark jobsite clearly and keep spectators away.
- Wear personal protective equipment.
- Review jobsite hazards, safety and emergency procedures, and individual responsibilities with all personnel before work begins. Safety videos are available from your Ditch Witch® dealer or at www.ditchwitch.com/safe. Safety Data Sheets (SDS) are available at www.ditchwitch.com/support.
- Fully inspect equipment before operating. Repair or replace any worn or damaged parts. Replace missing or damaged safety shields and safety signs. Contact your Ditch Witch dealer for assistance.
- Use equipment carefully. Stop operation and investigate anything that does not look or feel right.
- Do not operate unit where flammable gas may be present.
- Only operate equipment in well-ventilated areas.
- Contact your Ditch Witch dealer if you have any question about operation, maintenance, or equipment use.
- Complete the equipment checklist located at www.ditchwitch.com/safe.

California Proposition 65 Warning

This product may contain chemicals known to the State of California to cause cancer, birth defects, or other reproductive harm.

- battery posts, terminals and related accessories
- engine exhaust
- ethylene glycol

SK752 Operator's Manual Emergency Procedures

Safety - 13

Emergency Procedures

**WARNING**

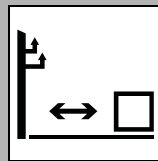
Jobsite hazards could cause death or serious injury. Use correct equipment and work methods. Use and maintain proper safety equipment.



Before operating any equipment, review emergency procedures and check that all safety precautions have been taken.

EMERGENCY SHUTDOWN - Turn ignition switch to stop position or push remote engine stop button (if equipped).

Electric Strike Description

**DANGER**

Electric shock will cause death or serious injury. Stay away. 274-049

When working near electric cables, remember the following:

- Electricity follows all paths to ground, not just path of least resistance.
- Pipes, hoses, and cables will conduct electricity back to all equipment.
- Low voltage current can injure or kill. Many work-related electrocutions result from contact with less than 440 volts.

Most electric strikes are not noticeable, but indications of a strike include:

- power outage
- smoke
- explosion
- popping noises
- arcing electricity

If any of these occur, assume an electric strike has occurred.

If an Electric Line is Damaged

If you suspect an electric line has been damaged and you are on tractor, DO NOT MOVE. Remain on tractor and take the following actions. The order and degree of action will depend upon the situation.

- Warn people nearby that an electric strike has occurred. Instruct them to leave the area and contact utility.
- Raise attachments and drive from immediate area.
- Contact utility company to shut off power.
- Do not return to jobsite or allow anyone into area until given permission by utility company.

If you suspect an electric line has been damaged and you are **off tractor**, DO NOT TOUCH TRACTOR. Take the following actions. The order and degree of action will depend upon the situation.

- LEAVE AREA. The ground surface may be electrified, so take small steps with feet close together to reduce the hazard of being shocked from one foot to the other. For more information, contact your Ditch Witch® dealer.
- Contact utility company to shut off power.
- Do not return to jobsite or allow anyone into area until given permission by utility company.

SK752 Operator's Manual

Emergency Procedures

Safety - 15

If a Gas Line is Damaged



WARNING Fire or explosion possible. Fumes could ignite and cause burns. No smoking, no flame, no spark. 275-419 (2P)



WARNING Explosion possible. Serious injury or equipment damage could occur. Follow directions carefully.

If you suspect a gas line has been damaged, take the following actions. The orders and degree of action will depend on the situation.

- Immediately shut off engine(s), if this can be done safely and quickly.
- Remove any ignition source(s), if this can be done safely and quickly.
- Warn others that a gas line has been cut and that they should leave the area.
- Leave jobsite as quickly as possible.
- Immediately call your local emergency phone number and utility company.
- If jobsite is along street, stop traffic from driving near jobsite.
- Do not return to jobsite until given permission by emergency personnel and utility company.

If a Fiber Optic Cable is Damaged

Do not look into cut ends of fiber optic or unidentified cable. Vision damage can occur. Contact utility company.

If Machine Catches on Fire

Perform emergency shutdown procedure and then take the following actions. The order and degree of action will depend on the situation.


- Immediately move battery disconnect switch (if equipped and accessible) to disconnect position.
- If fire is small and fire extinguisher is available, attempt to extinguish fire.
- If fire cannot be extinguished, leave area as quickly as possible and contact emergency personnel.


Safety Alert Classifications


These classifications and the icons defined on the following pages work together to alert you to situations which could be harmful to you, jobsite bystanders or your equipment. When you see these words and icons in the book or on the machine, carefully read and follow all instructions. **YOUR SAFETY IS AT STAKE.**



Watch for the three safety alert levels: **DANGER**, **WARNING** and **CAUTION**. Learn what each level means.

 **DANGER** indicates a hazardous situation that, if not avoided, will result in death or serious injury. This signal word is to be limited to the most extreme situations.

 **WARNING** indicates a hazardous situation that, if not avoided, could result in death or serious injury.

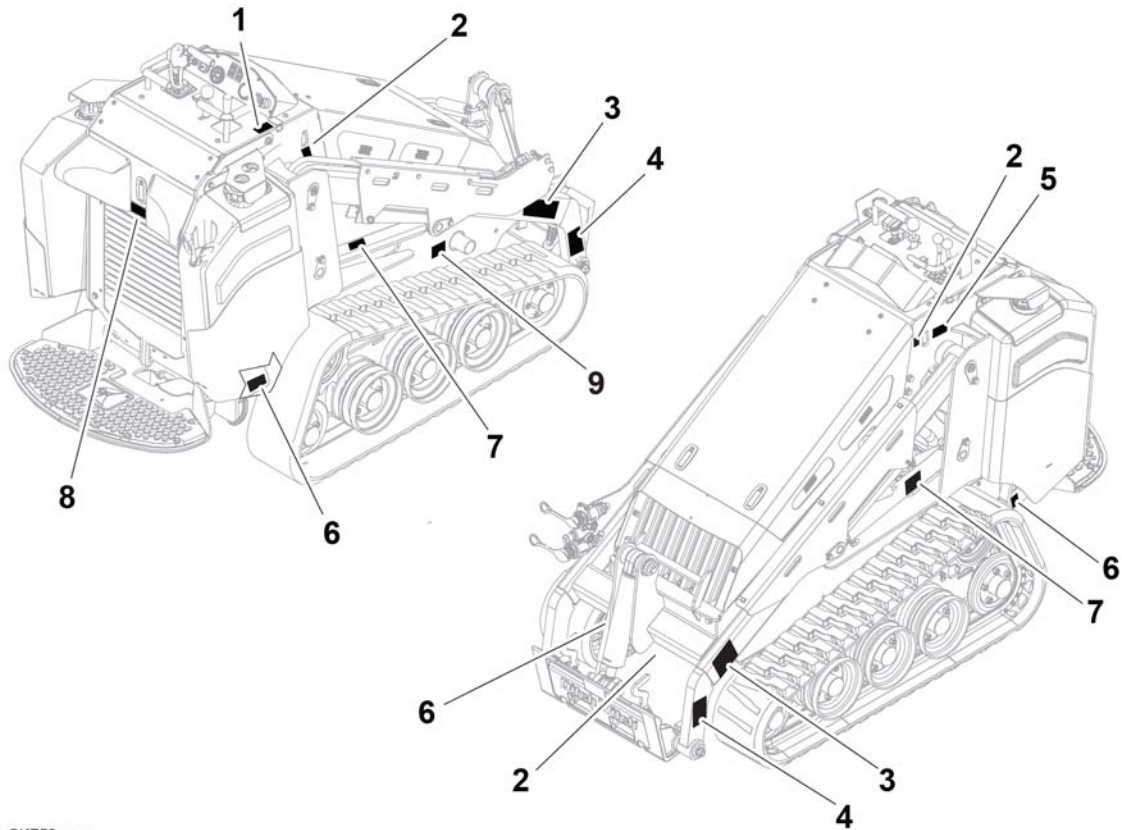
 **CAUTION** indicates a hazardous situation that, if not avoided, could result in minor or moderate injury.

Watch for two other words: **NOTICE** and **IMPORTANT**.

NOTICE indicates information considered important, but not hazard-related (e.g., messages relating to property damage).

IMPORTANT can help you do a better job or make your job easier in some way.

Machine Safety Alerts



Decal_SK752.png

1



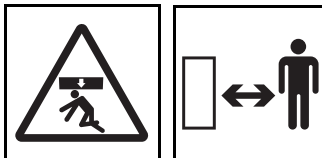
WARNING Jobsite hazards could cause death or serious injury. Use correct equipment and work methods. Use and maintain proper safety equipment. 274-050; 274-724 (2P)

2



Lift point. See Transport chapter for more information. 274-442

3



WARNING Crushing weight could cause death or serious injury. Stay away. 275-326

SK752 Operator's Manual

Machine Safety Alerts

4		<p>WARNING Moving parts could cut off hand or foot. Stay away. 275-184</p>
5		<p>WARNING Fire or explosion possible. Do not use starter fluid. 273-459 (2P), 274-206 (2P), 700-206 (2P)</p>
6		<p>Tiedown location. See Transport chapter for more information. 274-318</p>
7		<p>WARNING Crushing weight. Place cylinder lock on extended cylinder and secure. 273-413</p>
8		<p>WARNING Read operator's manual. Know how to use all controls. Your safety is at stake. 273-475</p>
9		<p>CAUTION Hot parts may cause burns. Do not touch until cool or wear gloves. 275-355 (2-P)</p>





Always follow manufacturer instructions

Safety - 20

***SK752 Operator's Manual
Machine Safety Alerts***

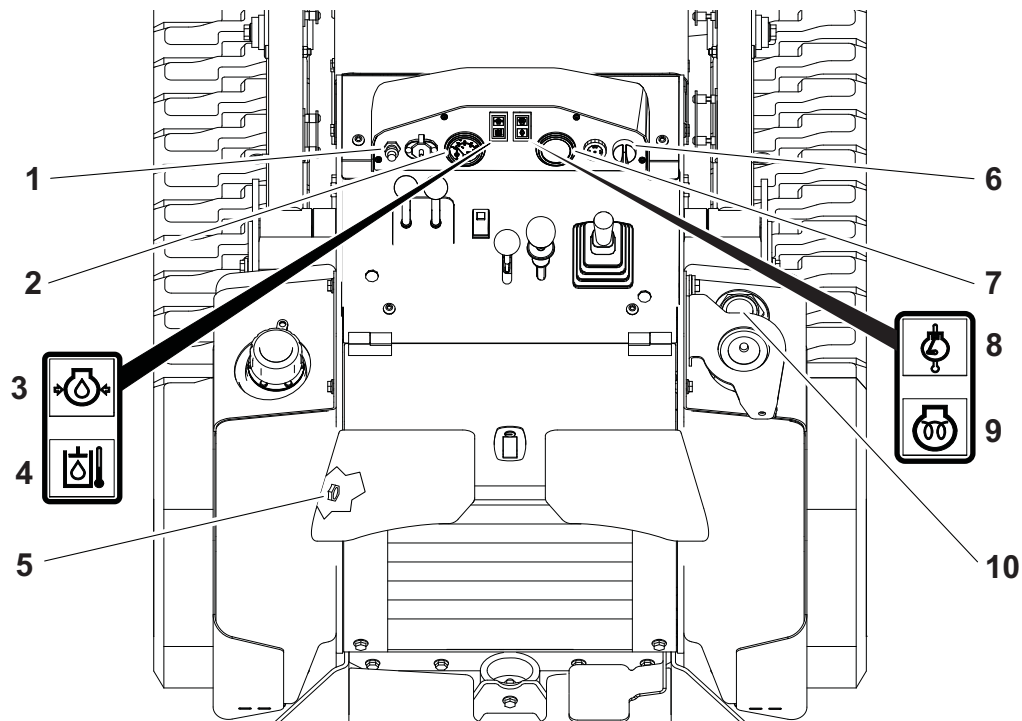
Controls

Chapter Contents

Gauges and Indicators	22
Controls	24
Engine Compartment	28
Attachment Plate	29



Gauges and Indicators

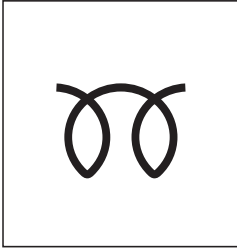
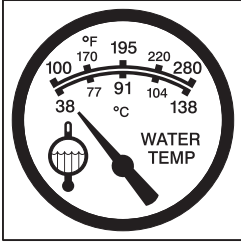
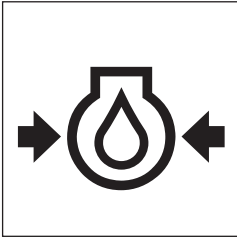


t46om001w.eps

- | | |
|--|---|
| 1. Glow plug button | 6. Ignition switch |
| 2. Engine coolant temperature gauge | 7. Hourmeter |
| 3. Engine oil pressure indicator | 8. Engine coolant temperature indicator |
| 4. Hydraulic fluid temperature indicator | 9. Glow plug indicator |
| 5. Hydraulic fluid level sight glass | 10. Fuel gauge |

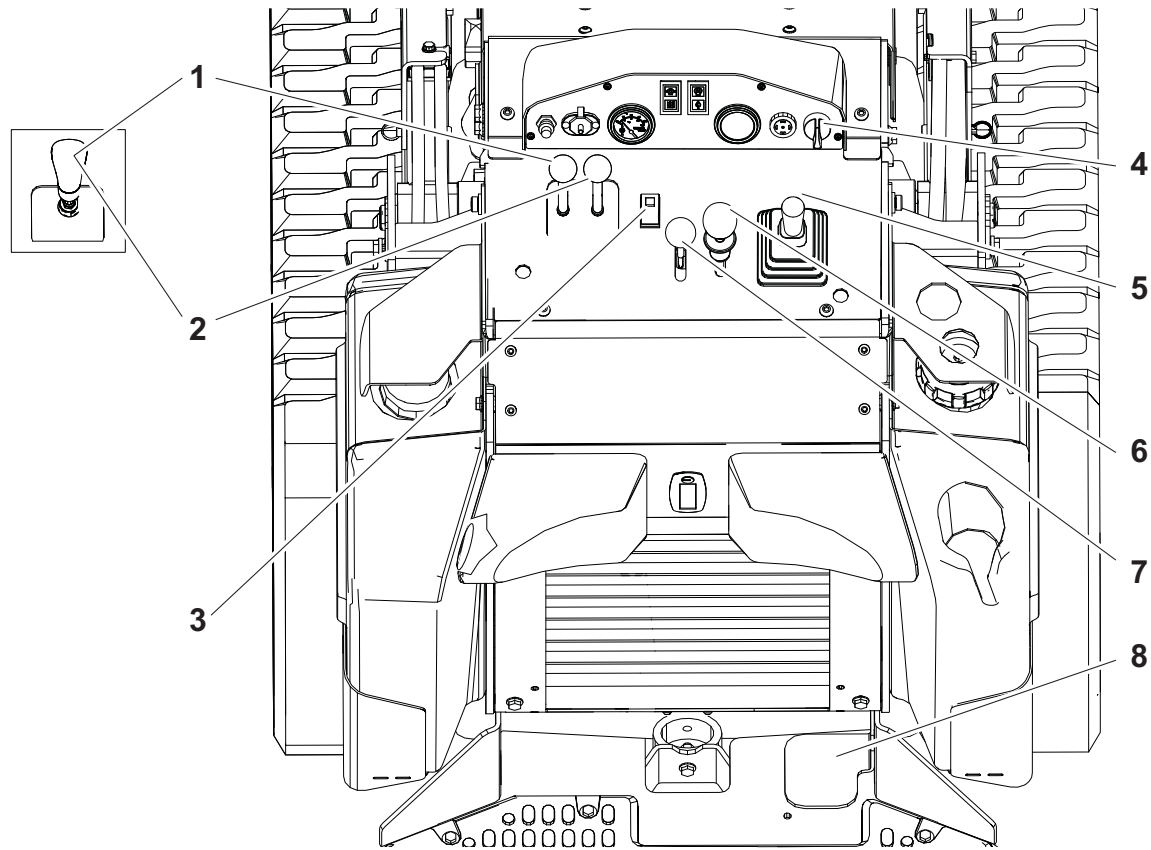
SK752 Operator's Manual

Gauges and Indicators

Item	Description	Notes
<p>1. Glow plug button</p>  <p>c00ic108h.eps</p>	<p>To help start cold engine, turn ignition switch to first position.</p> <p>Press glow plug button as directed in notes.</p> <p>Release button, then turn ignition switch all the way clockwise to start.</p>	<p>IMPORTANT: Press glow plug button according to temperatures below.</p> <ul style="list-style-type: none"> If ambient temperature is below 40° F (4° C), press and hold button for 5 seconds. If ambient temperature is below 20° F (-7° C), press and hold button for 10 seconds. Do not press button for more than 20 seconds continuously.
<p>2. Engine coolant temperature gauge</p>  <p>c00ic086a.eps</p>	<p>Displays coolant temperature.</p>	<p>IMPORTANT: If temperature goes above 230°F (110°C):</p> <ol style="list-style-type: none"> Stop operation, set throttle to low idle, and allow engine to cool. Stop engine. Check coolant level. Ensure radiator is clean.
<p>3. Engine oil pressure indicator</p>  <p>c00ic119h.eps</p>	<p>Lights when engine oil pressure is low.</p> <p>Also lights briefly when engine is started.</p>	<p>Engine will stop.</p> <ol style="list-style-type: none"> Check oil level. Check for leaks before starting engine.



Controls

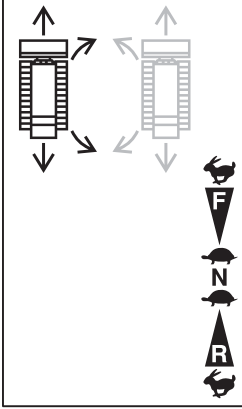
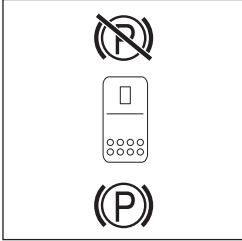


i46om002w.eps

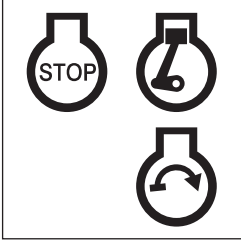
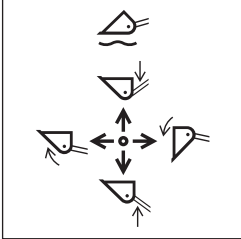

- | | |
|--|---|
| <ul style="list-style-type: none"> 1. Left track drive control or Track drive joystick (optional) 2. Right track drive control or Track drive joystick (optional) 3. Parking brake switch 4. Ignition switch | <ul style="list-style-type: none"> 5. Lift arm control 6. Attachment drive control 7. Throttle 8. Attachment drive foot control |
|--|---|

SK752 Operator's Manual

Controls

Item	Description	Notes
<p>1. Left track drive control</p> <p>2. Right track drive control</p>  <p>c00ic087a.eps</p>	<p>To move forward, push.</p> <p>To move backward, pull.</p> <p>To go faster in either direction, move control farther from neutral position.</p> <p>To stop, move to neutral position.</p>	<p>To turn right, move left control farther forward than right control.</p> <p>To turn left, move right control farther forward than left control.</p> <p>To counter-rotate in either direction, move controls in opposite directions as indicated above.</p>
<p>Track drive joystick (optional)</p>	<p>To move forward, push.</p> <p>To move backward, pull.</p> <p>To go faster in either direction, move control farther from neutral.</p> <p>To stop, move to neutral.</p>	<p>To steer while moving forward, push joystick forward, then move left or right. Unit will gradually turn left or right.</p> <p>To steer while moving backward, pull joystick back, then move left or right. Unit will gradually turn left or right.</p> <p>For tight steering in low speed, move joystick to center position then to left or right side. Tracks will counter rotate and turn unit in a tight circle.</p>
<p>3. Parking brake switch</p>  <p>c00ic097w.eps</p>	<p>To engage, move red switch toward operator and press back of switch down.</p> <p>To disengage, move red switch toward operator and press front of switch down.</p>	<p>IMPORTANT:</p> <ul style="list-style-type: none"> • Only apply parking brake when unit is at rest. • Parking brake disengages hydraulics.



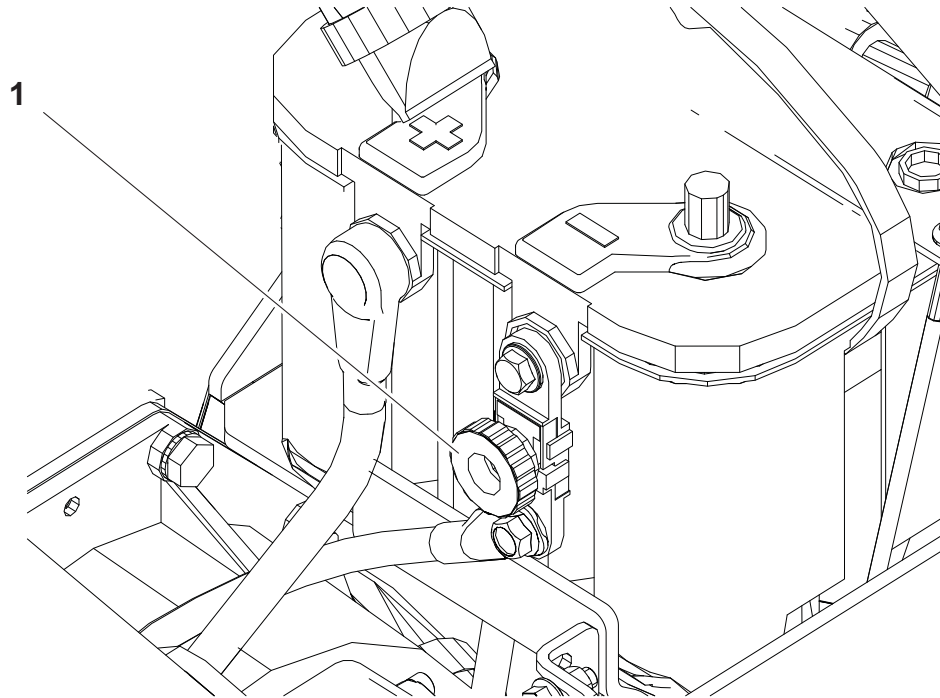
Item	Description	Notes
<p>4. Ignition switch</p>  <p>c00ic065h.eps</p>	<p>To start engine, insert key and turn clockwise.</p> <p>To stop engine, turn key counterclockwise.</p>	<p>IMPORTANT:</p> <ul style="list-style-type: none"> If engine does not start or stalls, turn key to STOP and then restart. Do not allow starter motor to run continuously for more than 20 seconds.
<p>5. Lift arm control</p>  <p>c00ic284h.eps</p>	<p>To move lift arms down, push.</p> <p>To float, push forward to end.</p> <p>To move lift arms up, pull.</p> <p>To curl attachment up, move to left.</p> <p>To curl attachment down, move to right.</p>	<p>IMPORTANT: Exercise caution when lifting loads. See page 79 for operating capacities.</p>
<p>6. Attachment drive control</p>  <p>c00ic090a.eps</p>	<p>To engage attachment drive in reverse, lift lever lock and push forward.</p> <p>To engage attachment drive in forward, lift lever lock and pull back.</p>	<p>IMPORTANT:</p> <ul style="list-style-type: none"> Lever lock engages when control is in neutral. Use foot pedal to hold attachment control in the on position when hands are busy operating lift arm or track drive controls.
<p>7. Throttle</p>	<p>To increase engine speed, push.</p> <p>To decrease engine speed, pull.</p>	<p>Increasing engine speed also increases attachment speed.</p>

SK752 Operator's Manual
Controls

Item	Description	Notes
<p>8. Attachment drive foot control</p>	<p>To hold attachment drive in engaged position (forward or reverse), lift lever lock, move lever in desired direction, and press pedal.</p> <p>To return attachment drive control to neutral, release pedal.</p>	<p>IMPORTANT: Use foot pedal to hold attachment control in the on position when hands are busy operating lift arm or track drive controls.</p>



Engine Compartment

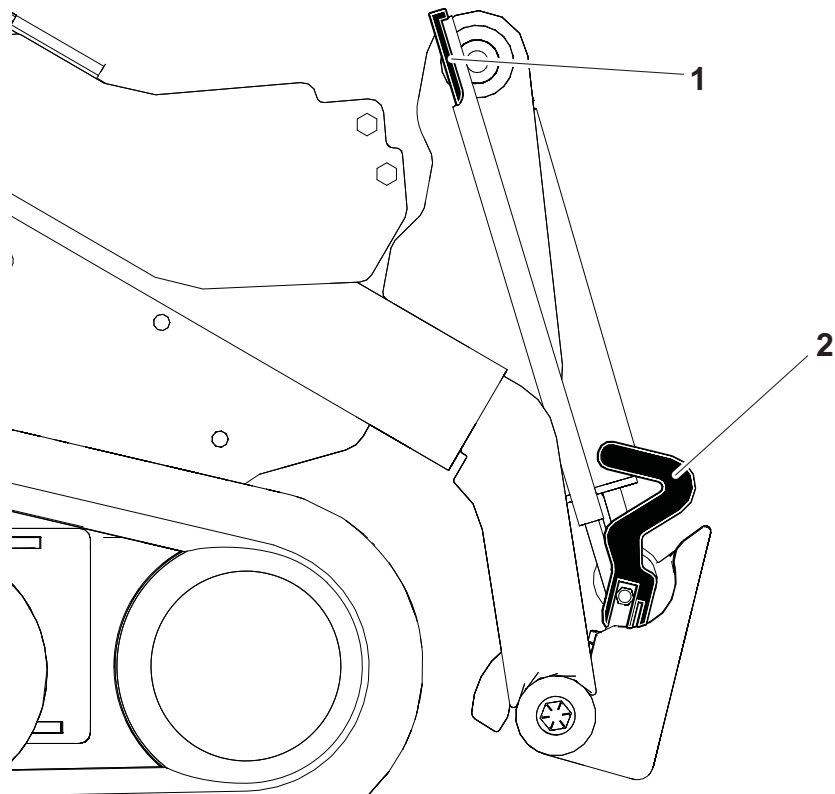


t46om003w.eps

1. Battery disconnect switch

Item	Description	Notes
1. Battery disconnect switch	To connect, turn clockwise. To disconnect, turn counterclockwise.	

Attachment Plate



t43om034w.eps

1. Level indicator

2. Attachment latches

Item	Description	Notes
1. Level indicator	To level bucket, adjust bucket position until indicator is at top of sleeve.	To level other attachments, adjust attachment position until it is level. Mark indicator position on sleeve. Use mark to indicate level with that attachment.
2. Attachment latches	To lock attachment, move latch down. To unlock attachment, move latch up.	



Always follow manufacturer instructions

Controls - 30

***SK752 Operator's Manual
Attachment Plate***

Prepare

Chapter Contents

Gather Information	32
• All Jobs32
• Ground-Penetrating Jobs32
• Above-Ground Jobs32
Inspect Site	33
• Identify Hazards33
Classify Jobsite	34
• Select a Classification34
• Apply Precautions35
Check Supplies and Prepare Equipment	36
• Check Supplies36
• Assemble Accessories36
Connect Attachment	37



Gather Information

A successful job begins before you start working. The first step in planning is reviewing information already available about the job and jobsite.

All Jobs

Review Job Plan

Review blueprints or other plans. Check for information about existing or planned structures, elevations, or proposed work that may be taking place at the same time.

Arrange for Traffic Control

If working near a road or other traffic area, contact local authorities about safety procedures and regulations.

Plan for Emergency Services

Have the telephone numbers for local emergency and medical facilities on hand. Check that you will have access to a telephone.

Ground-Penetrating Jobs

Notify One-Call Services

Mark proposed path with white paint and have underground utilities located before working.

- In the US or Canada, call 811 (US) or 888-258-0808 (US and Canada). Also contact any local utilities that do not participate in the One-Call service.
- In countries that do not have a One-Call service, contact all local utility companies to have underground utilities located.

Above-Ground Jobs

Locate Overhead Lines

Note location and height of all overhead lines in jobsite and ensure that fully lifted attachment and/or load will not touch lines.

Inspect Site

Identify Hazards

Inspect jobsite before transporting equipment. Check for the following:

- changes in elevation such as hills or other open trenches
- obstacles such as buildings, railroad crossings, or streams
- signs of utilities on jobsite and perimeter, such as:
 - “buried utility” notices
 - utility facilities without overhead lines
 - gas or water meters
 - junction boxes
 - drop boxes
 - light poles
 - manhole covers
 - sunken ground
- traffic
- access
- soil type and condition



Have an experienced locating equipment operator sweep area within 20' (6 m) to each side of work path to verify previously marked line and cable locations. Mark location of all buried utilities and obstructions.

Classify Jobsite



Jobsite hazards could cause death or serious injury. Use correct equipment and work methods. Use and maintain proper safety equipment.

To help avoid injury:

- Wear personal protective equipment including hard hat, safety eye wear, and hearing protection.
- Do not wear jewelry or loose clothing.
- Comply with all utility notification regulations before digging or drilling.
- Mark proposed path with white paint and have underground utilities located before working.
- Verify location of previously marked underground hazards.
- Mark jobsite clearly and keep spectators away.

Remember, jobsite is classified by hazards in place -- not by line being installed.

Select a Classification

Jobsites are classified according to underground hazards present.

If working . . .	then classify jobsite as . . .
within 10' (3 m) of a buried electric line	electric
within 10' (3 m) of a natural gas line	natural gas
in sand or granite which is capable of producing crystalline silica (quartz) dust	crystalline silica (quartz) dust
within 10' (3 m) of any other hazard	other

NOTICE: If you have any doubt about jobsite classification, or if jobsite might contain unmarked hazards, take steps outlined previously to identify hazards and classify jobsite before working.

SK752 Operator's Manual

Classify Jobsite

Prepare - 35

Apply Precautions

Once classified, precautions appropriate for jobsite must be taken.

Electric Jobsite Precautions

Use one or both of these methods.

- Expose line by careful hand digging or soft excavation.
- Have service shut down while work is in progress. Have electric company test lines before returning them to service.

Natural Gas Jobsite Precautions

In addition to positioning equipment upwind from gas lines, use one or both of these methods.

- Expose lines by careful hand digging or soft excavation.
- Have gas shut off while work is in progress. Have gas company test lines before returning them to service.



Crystalline Silica (Quartz) Dust Precautions

Crystalline silica dust is a naturally occurring substance found in soil, sand, concrete, granite, and quartz. Breathing silica dust particles while cutting, drilling, or working materials may cause lung disease or cancer. To reduce exposure:

- Use water spray or other means to control dust.
- Refer to U.S. Department of Labor Occupational Safety and Health Administration guidelines to learn more about appropriate breathing protection and permissible exposure limits.

Other Jobsite Precautions

You may need to use different methods to safely avoid other underground hazards. Talk with those knowledgeable about hazards present at each site to determine which precautions should be taken or if job should be attempted.

Check Supplies and Prepare Equipment

Supplies

- fuel

NOTICE: Use low sulfur or ultra low sulfur fuel only.

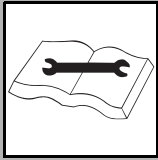
- keys
- lubricants
- personal protective equipment, such as hard hat and safety glasses

Fluid Levels

- fuel
- hydraulic fluid and engine oil
- battery charge

Condition and Function

- all controls



WARNING Improper control function could cause death or serious injury. If control does not work as described in instructions, stop machine and have it serviced.

- parking brake pins (See “Check Brake Operation” on page 63.)
- filters (air, oil, hydraulic)
- tracks
- pumps and motors
- hoses and valves
- signs, guards, and shields

Accessories

Fire Extinguisher

If required, mount a fire extinguisher near the power unit but away from possible points of ignition. The fire extinguisher should always be classified for both oil and electric fires. It should meet legal and regulatory requirements.

Connect Attachment

NOTICE: Use only Ditch Witch®-approved attachments. Attachments can change the stability and operating characteristics of the unit. See attachment operation manual for instructions regarding proper operation of attachments.

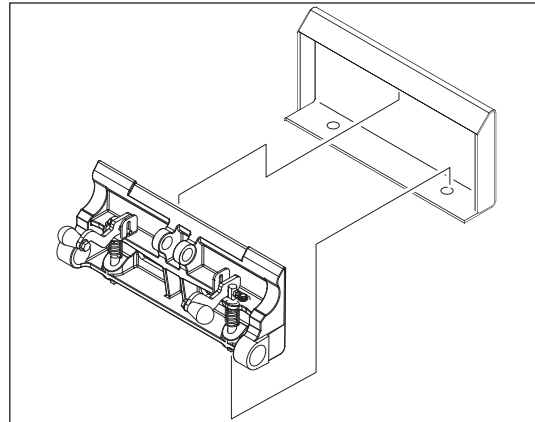
Attachment

IMPORTANT: Before connecting attachment to unit, ensure that mount and receiver plates are free of dirt and debris.

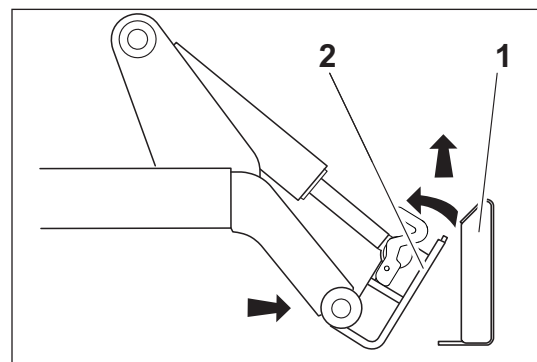
1. Position attachment on level surface with enough space behind it to accommodate unit.
2. Start engine.
3. Tilt mount plate (2) forward.
4. Position mount plate in the upper lip of the receiver plate (1) on attachment.
5. Raise lift arms while tilting back mount plate.

IMPORTANT: Attachment should be raised enough to clear the ground. Mount plate should be tilted back fully.

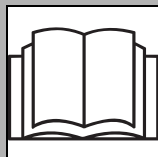
6. Pins will automatically engage.



t43om006w.eps



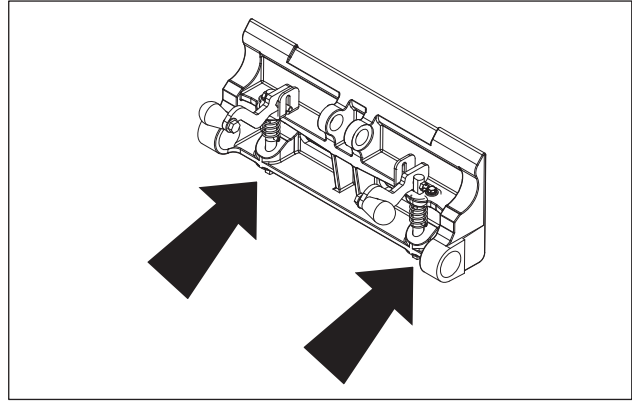
t46om010w.eps



WARNING Read operator's manual. Know how to use all controls. Your safety is at stake.

To help avoid injury: Ensure proper connection by verifying that bottoms of lock pins are visible under attachment receiver plate (shown).

7. Ensure pins are engaged by rotating attachment down.



t43om007w.eps

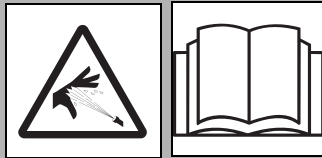
SK752 Operator's Manual

Connect Attachment

Prepare - 39

Hydraulic Hoses

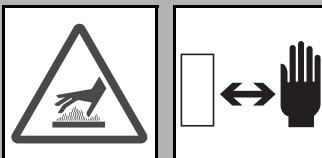
If attachment requires hydraulic power for operation, connect hydraulic hoses.



WARNING Pressurized fluid or air could pierce skin and cause severe injury. Refer to operator's manual for proper use.

To help avoid injury:

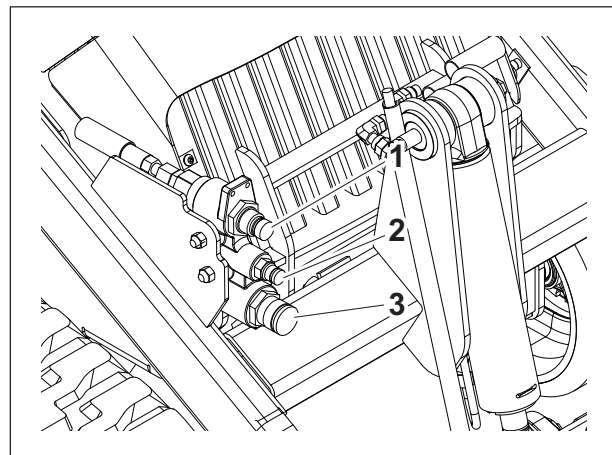
- Escaping pressurized fluid can cause injury or pierce skin and poison.
- Before disconnecting a hydraulic line, turn engine off and operate all controls to relieve pressure. Lower, block, or support any raised component with a hoist. Cover connection with heavy cloth and loosen connector nut slightly to relieve residual pressure. Catch all fluid in a container.
- Before using system, check that all connections are tight and all lines are undamaged.
- Use a piece of cardboard or wood, rather than hands, to search for leaks.
- Wear protective clothing, including gloves and eye protection.
- If you are injured, seek immediate medical attention from a doctor familiar with this type of injury.



WARNING Hot parts may cause burns. Do not touch until cool.

To help avoid injury: Wear gloves when connecting and disconnecting hydraulic hoses and wait until unit has cooled before touching hydraulic components.

1. Turn off engine.
2. Cycle attachment drive control to relieve residual pressure at hydraulic couplers.
3. Remove dirt and debris from hydraulic couplers.
4. Connect male coupler on attachment to female coupler (3) on unit.
5. Connect female coupler on attachment to male coupler (1) on unit.
6. If needed, connect attachment case drain hose to case drain connector (2).
7. Ensure that connections are secure by pulling on hoses.



t350m011w.eps



Always follow manufacturer instructions

Prepare - 40

***SK752 Operator's Manual
Connect Attachment***

Drive

Chapter Contents

Start Unit	42
Drive	43
• General Operation	43
• Safe Slope Operation	44
Shut Down	45



Start Unit

1. Ensure all controls are in neutral.
2. Set parking brake.
3. Move throttle to half open.
4. Turn ignition switch to start position and release when engine starts.

NOTICE:

- Start and operate only from the platform.
- Only operate in well ventilated areas.

EMERGENCY SHUTDOWN: Turn ignition switch to STOP.

Drive

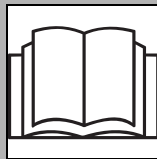
General Operation



WARNING Tipover possible. Machine can tip over and crush you.

To help avoid injury:

- Always operate with load end uphill.
- Always carry load low. High load can cause tipping, loss of load or loss of visibility.
- Operate at slow speed when on rough terrain.
- Never drive across slopes.
- Never jerk control levers. Use a steady even motion.
- Do not park unit on slope without lowering attachment to the ground, returning all controls to neutral position, shutting down unit, and applying parking brake.
- See page 80 for operating capacity.



WARNING Read operator's manual. Know how to use all controls. Your safety is at stake.

To help avoid injury: Allow hydraulic fluid time to warm up before operating in cold weather. Cold hydraulic fluid can lengthen ground drive stopping time.

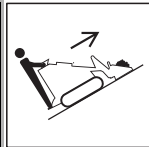
1. Disengage parking brake.
2. Pull lift arm control to raise mount plate (and attachment) off ground.
3. Move track drive control to steer unit. See page 25.

IMPORTANT: If needed for attachment operation, push attachment drive foot control to hold attachment control in the forward position while operating track drive and lift arm controls.

4. Adjust throttle as needed.
5. See attachment operation manual for instructions regarding proper operation of attachments.

EMERGENCY EXIT: Release controls and step off platform.

Safe Slope Operation

**WARNING**

Tipover possible. Machine can tip over and crush you.

To help avoid injury:

- Always operate with load end uphill.
- Always carry load low. High load can cause tipping, loss of load or loss of visibility.
- Operate at slow speed when on rough terrain.
- Never drive across slopes.
- Never jerk control levers. Use a steady even motion.
- Do not park unit on slope without lowering attachment to the ground, returning all controls to neutral position, shutting down unit, and applying parking brake.
- See page 80 for operating capacity.

Operating safely on a slope depends upon many factors including:

- Distribution of machine weight, including front loading and absence of load
- Height of load
- Even or rough ground conditions
- Potential for ground giving way causing unplanned tilt forward, reverse or sideways
- Nearness of ditches, ruts, stumps or other obstructions and sudden changes in slope
- Speed
- Turning
- Braking performance
- Operator skill

EMERGENCY EXIT: Release controls and step off platform.

These varying factors make it impractical to specify a maximum safe operating angle in this manual. It is therefore important for the operator to be aware of these conditions and adjust operation accordingly. Maximum engine angle and braking performance are two absolute limits which must never be exceeded. These maximums are stated below since they are design limits. **These design limits usually exceed the operating limits and must never be used alone to establish safe operating angle for variable conditions.**

Maximum engine lubrication angle – 20°

Maximum service brake retarding force – equal to traction of both tracks.

Maximum park brake holding force – equal to traction of one track.

SK752 Operator's Manual

Shut Down

Drive - 45

Shut Down

1. Lower lift arms to ground.
2. Move all controls to neutral position.
3. Turn ignition switch to STOP.
4. Remove key.





Always follow manufacturer instructions

Drive - 46

***SK752 Operator's Manual
Shut Down***


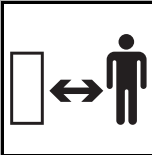
Transport

Chapter Contents

Lift	48
• Points48
• Procedure48
Haul	49
• Load49
• Tie Down50
• Unload51
Retrieve	52



Lift

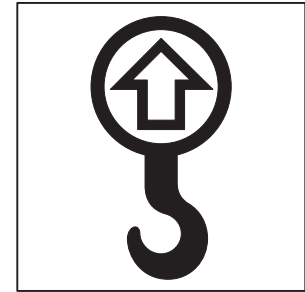



WARNING Crushing weight. If load falls or moves it could kill or crush you. Use proper procedures and equipment or stay away.

To help avoid injury: Only lift unit without attachment installed.

Points

Lifting points are identified by lifting decals. Lifting at other points is unsafe and can damage machinery.

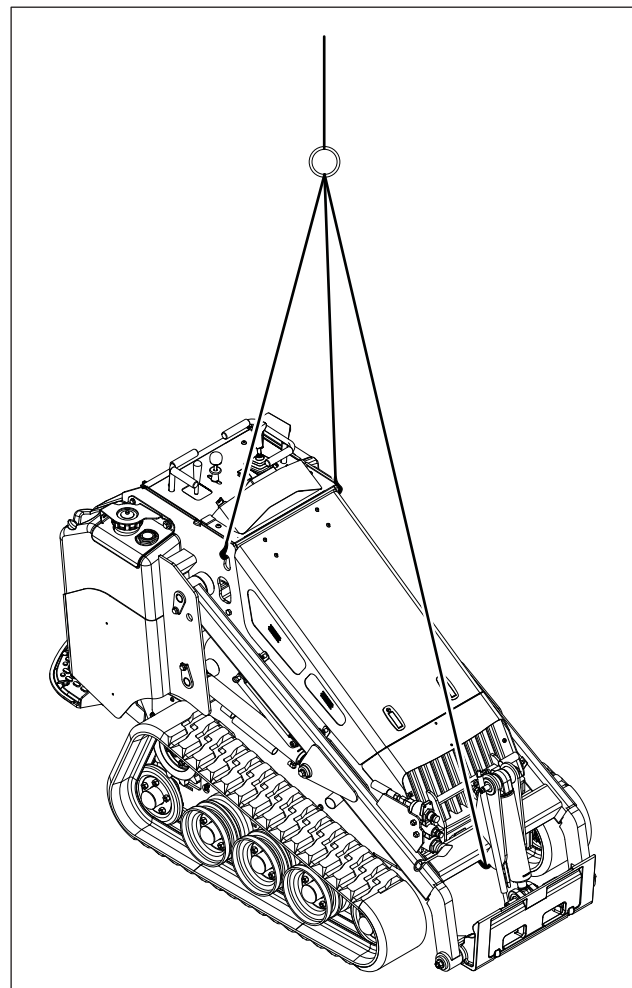


ic1319a.eps

Procedure

Use a hoist capable of supporting the equipment's size and weight. See "Specifications" on page 79 or measure and weigh equipment before lifting.

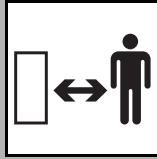
NOTICE: Do not lift unit with attachments installed.



t43om008w.eps

Haul

Load

**WARNING**

Crushing weight. If load falls or moves it could kill or crush you. Use proper procedures and equipment or stay away.

To help avoid injury:

- Load and unload trailer on level ground.
- Incorrect loading can cause trailer swaying.
- Attach trailer to vehicle before loading or unloading.
- Only operate unit from operator platform.
- To help prevent trailer sway, load trailer so that ten to fifteen percent of total vehicle weight (equipment plus trailer) is on tongue.
- If loading onto tilt-bed trailer, be prepared for trailer to tilt.
- Move all controls to neutral position when stopped.

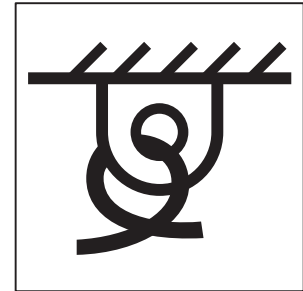


1. Start engine.
2. Adjust throttle to low speed.
3. Pull lift arm control to raise mount plate (and attachment) clear of trailer, but keep it low.
4. Move unit to rear of trailer and align with ramps.
5. Drive forward slowly to move unit onto trailer until tiedown position is reached.
6. Push lift arm control to lower mount plate (and attachment) to trailer bed.
7. Engage parking brake.
8. Ensure that all controls are in neutral position.
9. Turn ignition switch to STOP.
10. Tie down unit.

Tie Down

Points

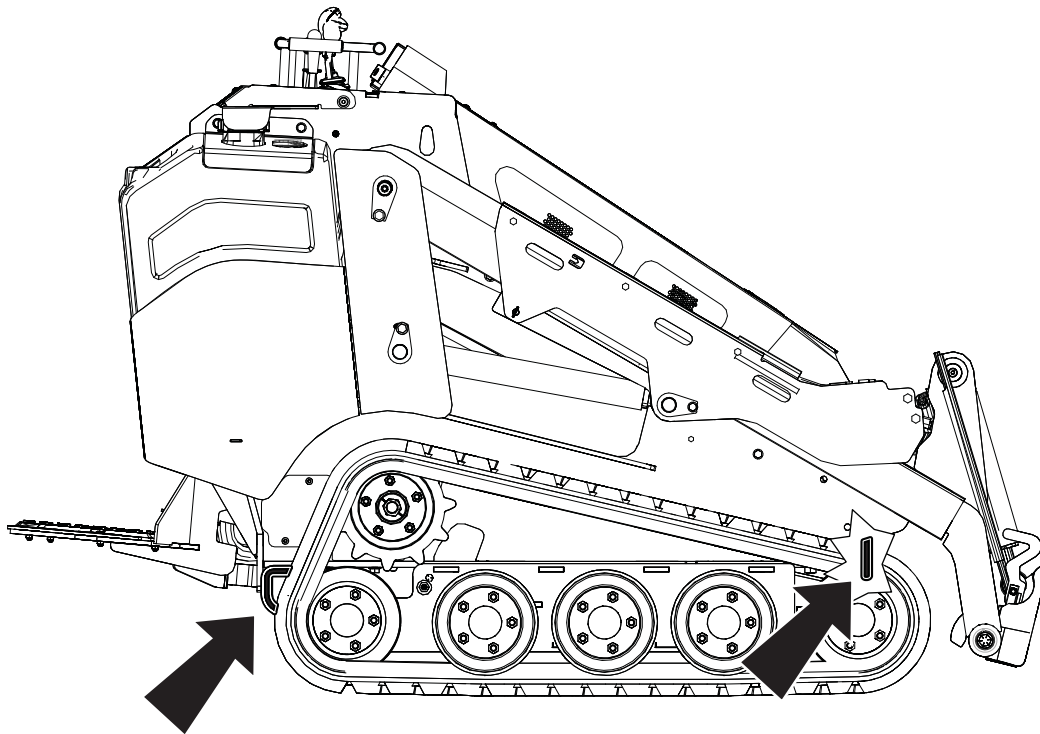
Tiedown points are identified by tiedown decals. Securing to truck or trailer at other points is unsafe and can damage machinery.



ic1320a.eps

Procedure

Loop tiedowns around unit at tiedown points. Make sure tiedowns are tight before transporting.



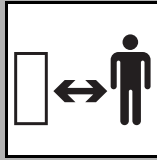
t46om016w.eps

SK752 Operator's Manual

Haul

Transport - 51

Unload

**WARNING**

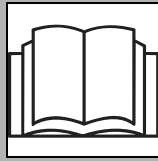
Crushing weight. If load falls or moves it could kill or crush you. Use proper procedures and equipment or stay away.

To help avoid injury:

- Load and unload trailer on level ground.
 - Attach trailer to vehicle before loading or unloading.
 - Only operate unit from operator platform.
 - If unloading from tilt-bed trailer, be prepared for trailer to tilt.
1. Prepare trailer and ramps for unloading.
 2. Remove tiedowns.
 3. Start engine.
 4. Disengage parking brake.
 5. Pull lift arm control to raise mount plate (and attachment) off ground, but keep it low.
 6. Adjust throttle to low speed and slowly back unit down trailer or ramps.



Retrieve



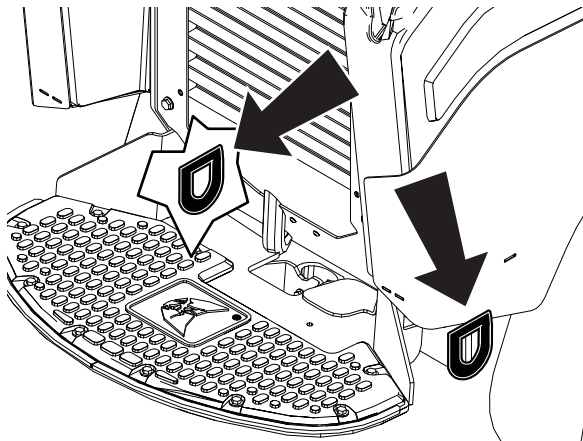
WARNING

Read operator's manual. Know how to use all controls.
Your safety is at stake. 273-475

Under normal conditions, unit should not be towed. If unit breaks down and retrieval is necessary:

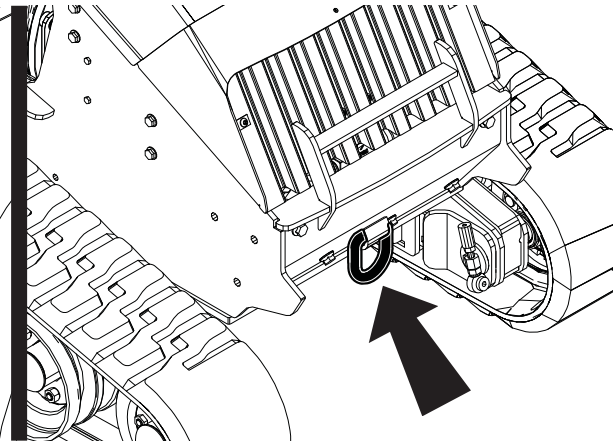
- tow for short distances at less than 1 mph (1.6 km/h)
- do not tow for more than 100' (30 m)
- use no more than 1,300 lb (5800 N) of towing force
- steering will be difficult

Procedure



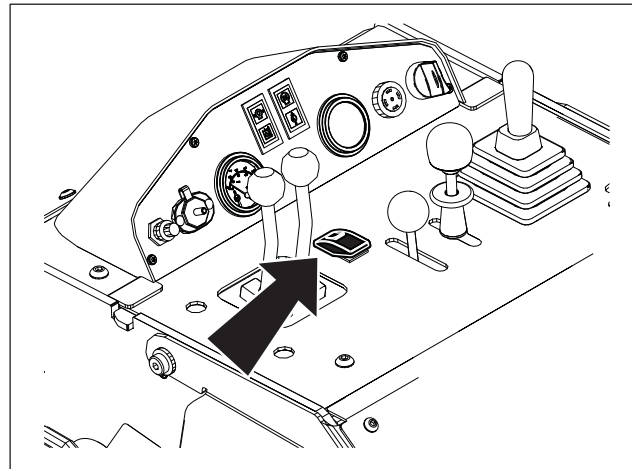
t43om010w.eps

rear tow point



front tow point

1. Block tracks.
2. Engage parking brake (shown) if engine will start. If it will not start, remove rear panel and unbolt parking brake assembly.



t46om004w.eps

SK752 Operator's Manual

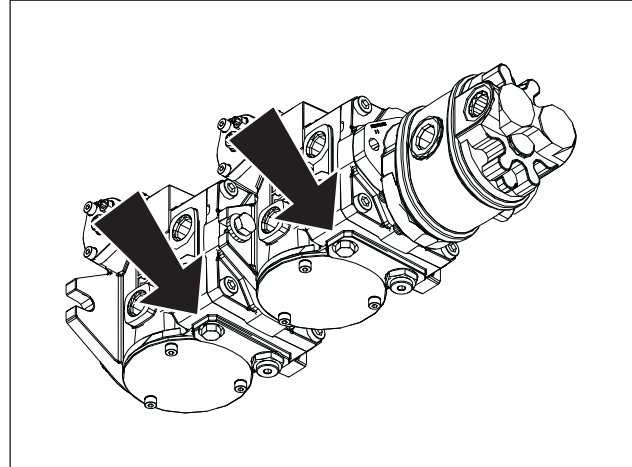
Retrieve

Transport - 53

- Loosen bypass valves (shown) three turns.

IMPORTANT: Open bypass valves in both front and rear pumps.

NOTICE: When bypass valves are open, unit has no brakes.



t46om005w.eps

Return Unit to Normal Operation

- Tighten bypass valves and tighten locknut to 15-18 ft•lb (20-25 N•m).

IMPORTANT: Close bypass valve in both front and rear pumps.

- Disengage parking brake or reassemble parking brake.
- Unblock tracks.





Always follow manufacturer instructions

Transport - 54

***SK752 Operator's Manual
Retrieve***

Complete the Job

Chapter Contents

Rinse Equipment	56
Disconnect Attachment	56
Stow Tools	56



Rinse Equipment

1. Spray water onto equipment to remove dirt and mud.

NOTICE: Do not spray water onto operator's console. Electrical components could be damaged. Wipe down instead.

2. Open hood and allow unit to cool. Remove debris from inside of unit.
3. Remove mud from track sprockets.
4. Wash undercarriage. Pay special attention to brake pin area.

Disconnect Attachment

1. Lower attachment to the ground.
2. Turn off engine.
3. Disengage lock pins by lifting handles upward.
4. Cycle attachment drive control and disconnect hydraulic hoses, if used.
5. Start engine.
6. Tilt mount plate forward and back unit away from attachment.

Stow Tools

Make sure all tools and accessories are loaded and properly secured on trailer.

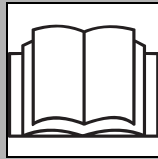
Service



Chapter Contents

Precautions	58
• Working under Raised Lift Arms58
• Welding Precaution58
Recommended Lubricants/Service Key	59
Engine Oil Temperature Chart	60
10 Hour	62
50 Hour	67
150 Hour	69
300 Hour	72
600 Hour	73
900 Hour	73
1200 Hour	74
As Needed	74

Precautions

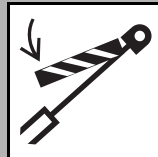


WARNING Read operator's manual. Know how to use all controls. Your safety is at stake. 273-475

To help avoid injury:

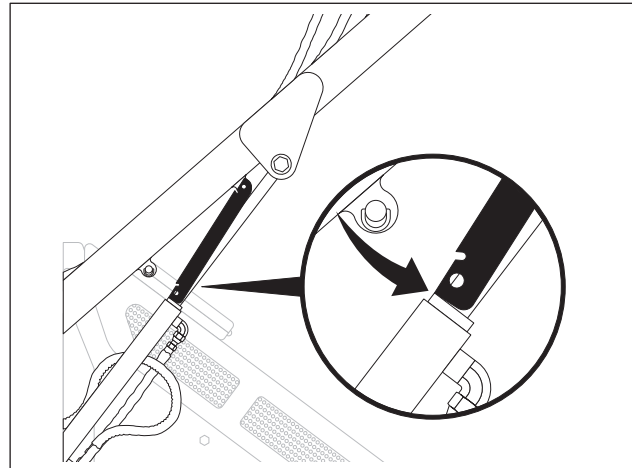
- Unless otherwise instructed, all service should be performed with engine off.
- Before servicing equipment, lower unstowed attachments to ground.

Working under Raised Lift Arms



WARNING Crushing weight. Place cylinder lock on extended cylinder and secure. 273-231

Use safety supports as indicated when working under raised lift arms.



t35om037w.eps

Welding Precaution

NOTICE: Welding can damage electronics.

- Disconnect battery to prevent damage to battery. Do not turn off battery disconnect switch with engine running, or alternator and other electronic devices may be damaged.
- Connect welder ground clamp close to welding point and make sure no electronic components are in the ground path.
- Always disconnect the Engine Control Unit ground connection from the frame, harness connections to the ECU, and other electronic components prior to welding on machine or attachments.

Recommended Lubricants/Service Key



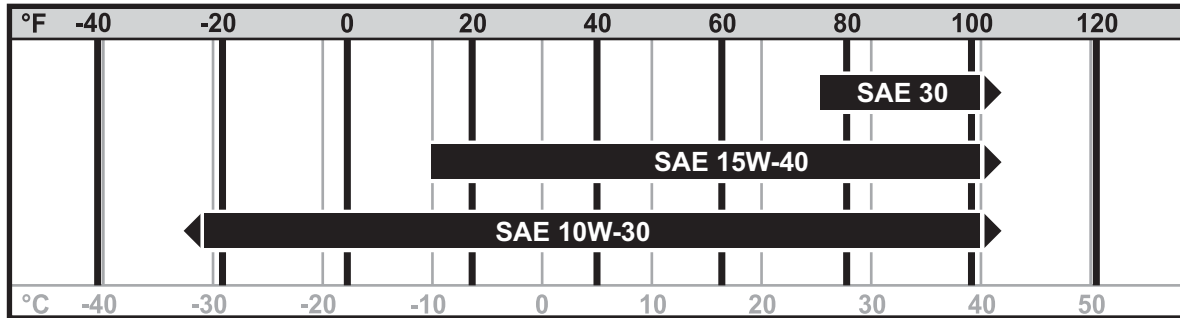
Item	Description		
DEO	U.S., Canada, EU, Japan: Diesel engine oil meeting or exceeding API service classification CH-4 (CH-4, CI-4, or CJ-4) or ACEA E7 (E6, E7, or E9). See viscosity chart.		
DEO	Less regulated markets (outside the U.S., Canada, EU, Japan): Diesel engine oil compatible with the sulfur content of the fuel used. If the fuel sulfur content exceeds 500 ppm (500 mg/kg) the oil's base number (TBN) should exceed 10. If the fuel sulfur content exceeds 5000 ppm (5000 mg/kg) the oil change interval should be reduced to every 75 hours. See viscosity chart.		
DEAC	Diesel engine antifreeze/coolant meeting CES 14603		
THF	tractor hydraulic fluid, similar to Phillips 66 [®] PowerTran fluid, Mobilfluid [®] 423, Chevron [®] Tractor Hydraulic Fluid, Texaco [®] TDH Oil, or equivalent		
MPG	Multipurpose grease meeting NLGI GC-LB Grade 2		
	Check level of fluid or lubricant		Check condition
	Filter		Change, replace, adjust, service or test

Proper lubrication and maintenance protects Ditch Witch[®] equipment from damage and failure. Service intervals listed are for minimum requirements. In extreme conditions, service machine more frequently. Use only genuine Ditch Witch parts, filters, approved lubricants, TJC, and approved coolants to maintain warranty. Fill to capacities listed in "Specifications" on page 79.

For more information on engine lubrication and maintenance, see your engine manual.

IMPORTANT: Use the "Service Record" on page 87 to record all required service to your machine.

Engine Oil Temperature Chart



t46om017w.eps

Temperature range anticipated before next oil change

For more information on engine lubrication and maintenance, see your engine manual.

Approved Coolant

This unit was filled with coolant meeting Cummins CES 14603 before shipment from factory. Add or replace only with coolant meeting this specification, such as Fleetguard ES Compleat coolant. This coolant is available, pre-diluted, from your Ditch Witch dealer as part number 255-1055. Contact your Cummins service partner for a full list of approved coolants meeting CES 14603.

NOTICE:

- Do not use water or high-silicate automotive-type coolant. This will lead to engine damage or premature engine failure.
- Do not mix heavy-duty diesel engine coolant and automotive-type coolant. This will lead to coolant breakdown and engine damage.

SK752 Operator's Manual Engine Oil Temperature Chart

Service - 61

Approved Fuel

U.S., Canada, EU, and Japan

**⚠ WARNING**

Avoid static electricity when fueling. Ultra Low Sulfur Diesel (ULSD) poses a greater static ignition hazard than earlier diesel formulations. Avoid death or serious injury from fire or explosion. Consult with your fuel system supplier to ensure the delivery system is in compliance with fueling standards for proper grounding and bonding practices.

This engine is designed to run on diesel fuel. Use only high quality fuel meeting ASTM D975 No. 2D, EN590, or equivalent. At temperatures below 32°F (0°C) winter fuel blends are acceptable. See the engine operation manual for more information.

NOTICE: Use only Ultra Low Sulfur Diesel (less than 15ppm sulfur content in US and Canada or 10 mg/kg sulfur content in Japan) in this unit. Operating with higher sulfur content will damage the engine and aftertreatment device.

Biodiesel blends up to 5% (B5) are approved for use in this unit. The fuel used must meet the specifications for diesel fuel shown above. In certain markets, higher blends may be used if certain steps are taken. Extra attention is needed when using biodiesel, especially when operating in cold weather or storing fuel. Contact your Ditch Witch dealer or the engine manufacturer for more information.

Less Regulated Markets (Outside the U.S., Canada, EU, and Japan)

This engine is designed to run on diesel fuel. Use only high quality fuel meeting ASTM D975 No. 2D, EN590, or equivalent. At temperatures below 32°F (0°C) winter fuel blends are acceptable. See the engine operation manual for more information.

IMPORTANT: Fuel sulfur content should be less than 10,000 ppm (10,000 mg/kg). Worldwide, fuel sulfur regulations vary widely. Fuel used should always comply with local regulations. Prior to shipping, this unit was filled with API CJ-4 DEO. If operating fuel with sulfur content above 500 ppm (500 mg/kg), change oil initially at 75 hours.

Biodiesel blends up to 5% (B5) are approved for use in this unit. The fuel used must meet the specifications for diesel fuel shown above. In certain markets, higher blends may be used if certain steps are taken. Extra attention is needed when using biodiesel, especially when operating in cold weather or storing fuel. Contact your Ditch Witch dealer or the engine manufacturer for more information.

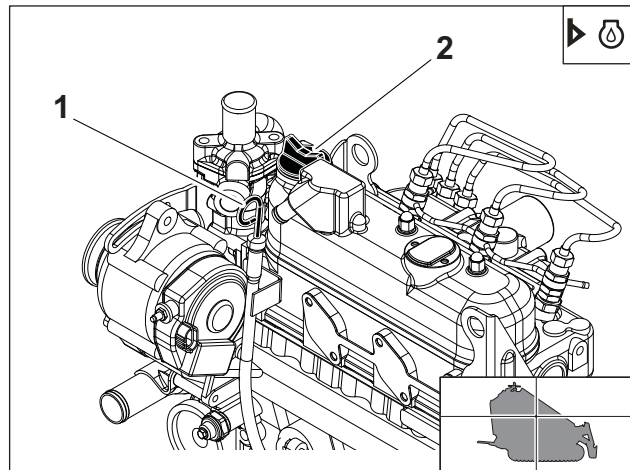
Startup/10 Hour

Location	Task	Notes
	Check engine oil level	DEO
	Check hydraulic fluid level	THF
	Check brake operation	
	Check lug nut torque	88-95 ft•lb (108-129 N•m)
	Check track tension	MPG
	Check engine coolant level	DEAC
	Check engine air filter service indicator	
	Check hydraulic hoses	

Check Engine Oil Level

Check engine oil level at dipstick opening (1) at startup and every 10 hours. Raise lift arms and install safety supports. See "Working under Raised Lift Arms" on page 58. Oil level should be at top of marking. If low, add DEO at fill (2). Check with unit on level surface and at least 15 minutes after stopping engine.

IMPORTANT: Use oil specified in "Engine Oil Temperature Chart" on page 60.



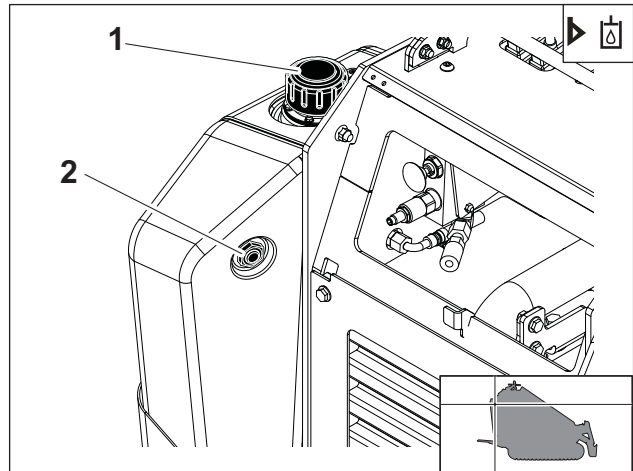
t35om009w.eps

SK752 Operator's Manual

Startup/10 Hour

Check Hydraulic Fluid Level

Check hydraulic fluid level at startup and every 10 hours. Maintain fluid level at halfway point on sight glass (2), when engine is off, cylinders are fully retracted, and fluid is cool. If low, add THF at fill (1).



t35om013w.eps

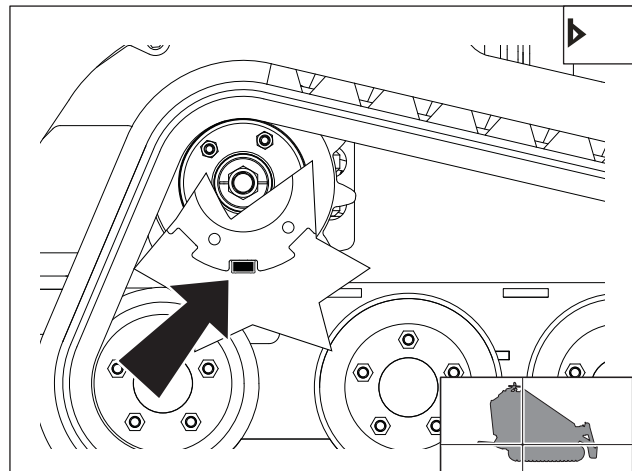


Check Brake Operation

Check brake operation at startup and every 10 hours or more often when conditions warrant..

IMPORTANT: Engine must be running to check brake operation.

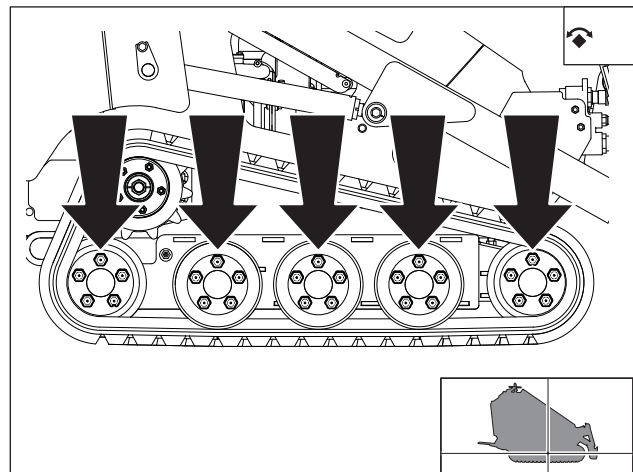
- Ensure parking brake pin (shown) moves freely allowing brake to be engaged and disengaged.
- Clean mud and debris from area around pin.



t35om014w.eps

Check Lug Nut Torque

Check lug nut torque at 10 hours, 50 hours and every 200 hours thereafter. Tighten to 88-95 ft•lb (108-129 N•m) as needed.



t35om036w.eps

Check Track Tension

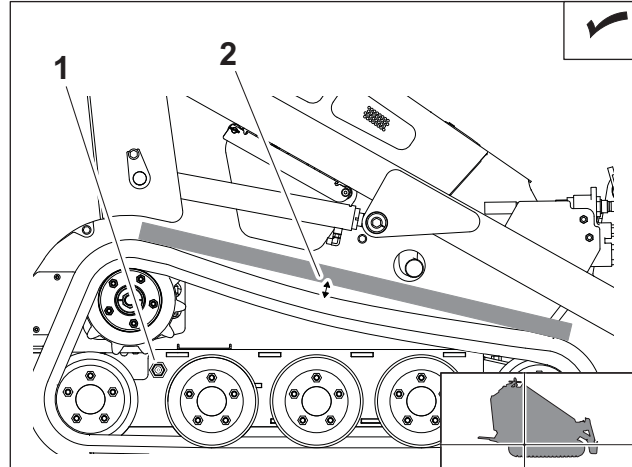
Check track tension at startup and every 10 hours and adjust as needed. Adjust track tension using one of the two methods below, depending on machine configuration.

Straight Edge Adjustment

Track is correctly tensioned when measurement between track and straight edge (2) is 1/2 in (13 mm).

To adjust:

1. Park machine on smooth, flat surface.
2. Lay straight edge on top of track, spanning from sprocket to front idler roller.
3. Clean track cylinder zerk (1). Pump MPG into zerk until distance between track and straight edge (2) is 1/2" (13 mm).
4. **Test:** Drive forward one track length and check tension again.
 - If tension is too loose, repeat step 3 above.
 - If tension is too tight, loosen fitting on grease cylinder and allow a small amount of grease to discharge from cylinder. Tighten fitting and test again.



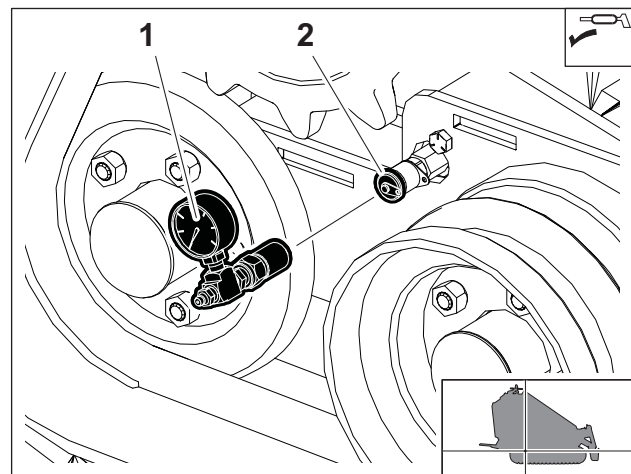
t350m033w.eps

Pressure Gauge Adjustment

Track is correctly tensioned when gauge measures between 700-900 psi (48-62 bar).

To adjust:

1. Remove gauge from operator's manual compartment.
2. Thread gauge (1) into connection (2).
3. Pump MPG into grease zerk to check pressure.



t460m008w.eps

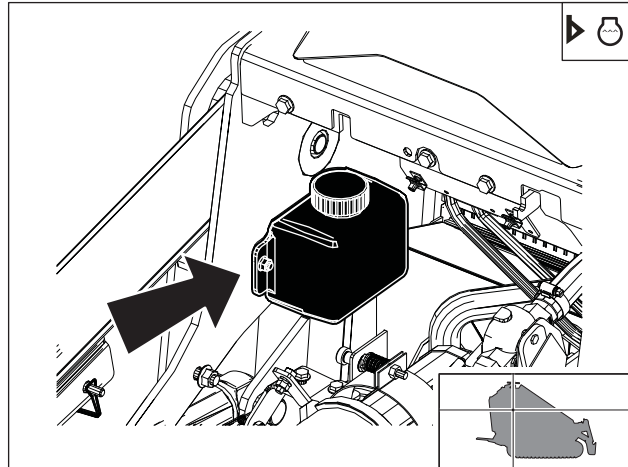
SK752 Operator's Manual

Startup/10 Hour

Check Coolant Level

Check coolant level, with engine cool, at overflow bottle at startup and every 10 hours. Maintain coolant level at halfway point on bottle. If low, add approved coolant.

IMPORTANT: See page 60 for information on approved coolants.

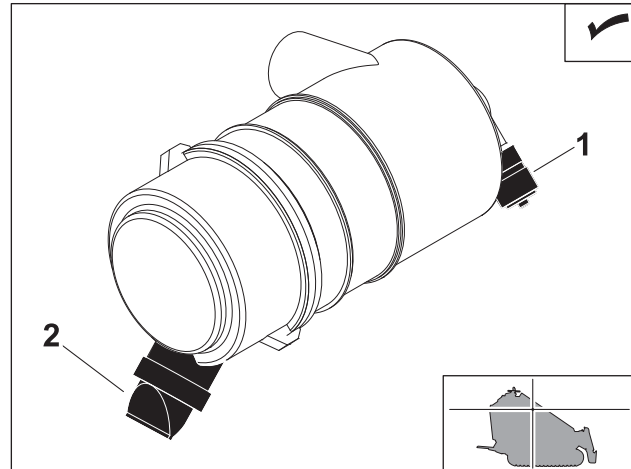


t46om006w.eps

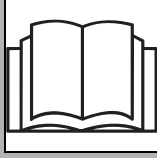


Check Engine Air Filter Service Indicator

Check air filter service indicator (shown) at startup and every 10 hours and change filter as needed.



t43om003h.eps

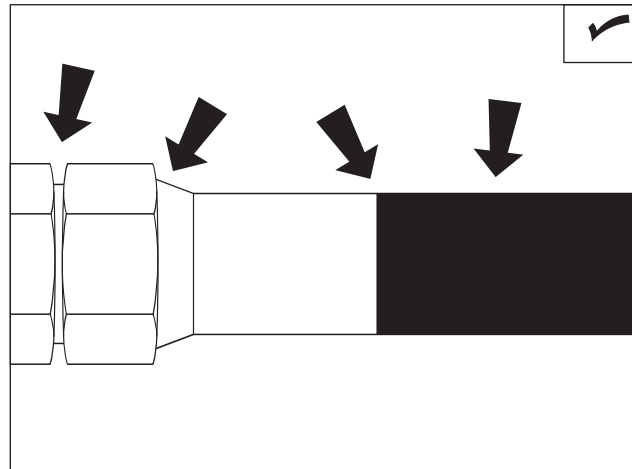
Check Hydraulic Hoses**WARNING**

Pressurized fluid or air could pierce skin and cause severe injury. Refer to operator's manual for proper use. 270-6035

To help avoid injury:

- Before disconnecting a hydraulic line, turn engine off and operate all controls to relieve pressure. Lower, block, or support any raised component with a hoist. Cover connection with heavy cloth and loosen connector nut slightly to relieve residual pressure. Catch all fluid in a container.
- Before using system, check that all connections are tight and all lines are undamaged.
- Use a piece of cardboard or wood, rather than hands, to search for leaks.
- Wear protective clothing, including gloves and eye protection.
- If you are injured, seek immediate medical attention from a doctor familiar with this type of injury.

Check hydraulic hoses for leaks at startup and every 10 hours.



CheckHoses.eps

50 Hour

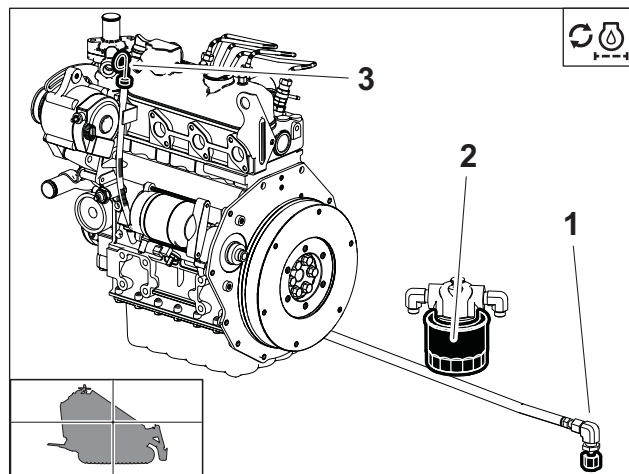


Location	Task	Notes
	Change engine oil and filter	initial
	Change hydraulic fluid filter	initial
	Check fuel hose and clamp band	
	Check radiator/hydraulic fluid cooler for dirt and debris	
	Check lug nut torque	88-95 ft•lb (108-129 N•m)

Change Engine Oil and Filter (Initial)

Change engine oil after 50 hours. Raise lift arms and install safety supports. See "Working under Raised Lift Arms" on page 58. Drain oil (1) and add 5 qt (4.7 L) of DEO at fill (2).

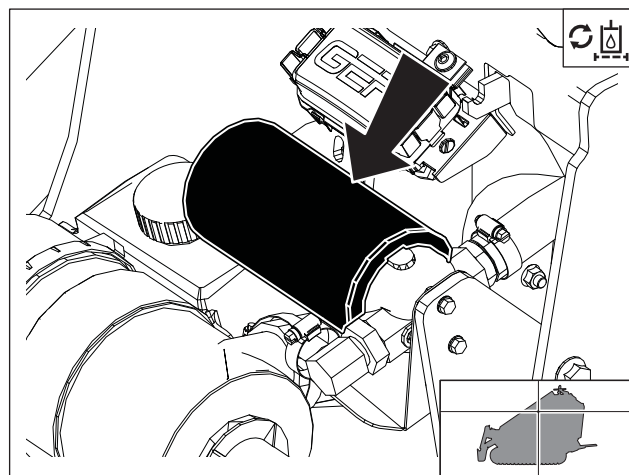
IMPORTANT: Use oil specified in "Engine Oil Temperature Chart" on page 60.



t46om011w.eps

Change Hydraulic Filter (initial)

Change hydraulic filter after 50 hours.



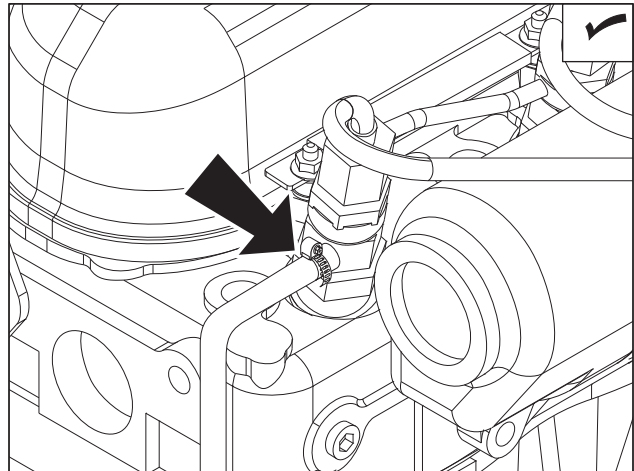
t43om016w.eps

Check Fuel Hose and Clamp Bands

Check fuel hose and clamp bands every 50 hours.

If the clamp is loose, apply oil to the threads and retighten it. If the hose is worn, replace it.

Bleed the fuel system if the hose and/or clamp is changed.

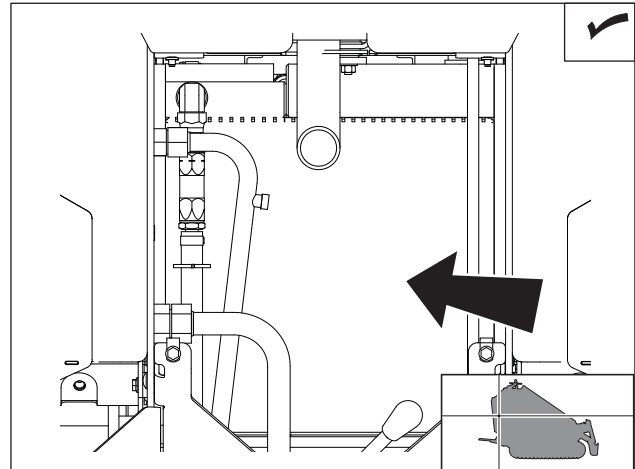


t18om053t.eps

Check Radiator/Fluid Cooler

Check radiator/hydraulic fluid cooler for dirt, grass, and other foreign matter every 50 hours. Clean out with compressed air or spray wash if required. Be careful not to damage fins with high-pressure air or water. Check more often if operating in dusty or grassy conditions.

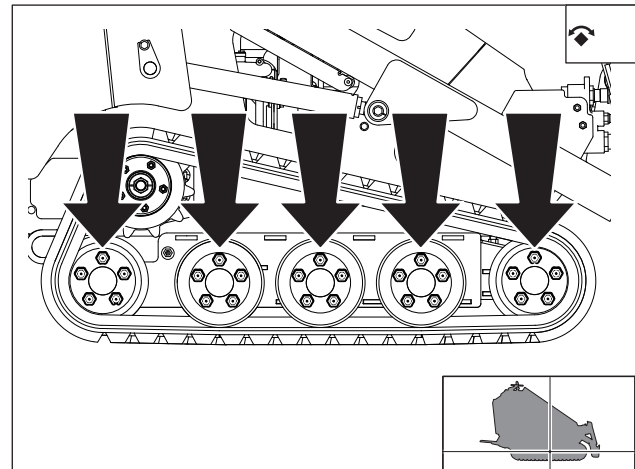
Check radiator hoses for wear. Check hose clamps for proper tightness.



t35om020w.eps

Check Lug Nut Torque

Check lug nut torque at 10 hours, 50 hours and every 200 hours thereafter. Tighten to 88-95 ft•lb (108-129 N•m) as needed.



t35om036w.eps

150 Hour

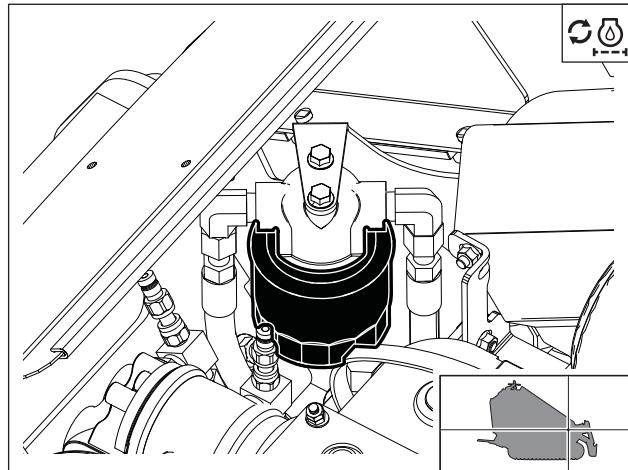


Location	Task	Notes
	Change engine oil and filter	4.2 qt (4 L) DEO
	Check fan belt tension and damage	1/4-1/3" (7-9 mm)

Change Engine Oil and Filter

Change engine oil and filter every 150 hours. Raise lift arms and install safety supports. See "Working under Raised Lift Arms" on page 58. Drain oil, change filter (shown) and add 4.2 qt (4 L) of DEO at fill. See page 67.

IMPORTANT: Use oil specified in "Engine Oil Temperature Chart" on page 60.



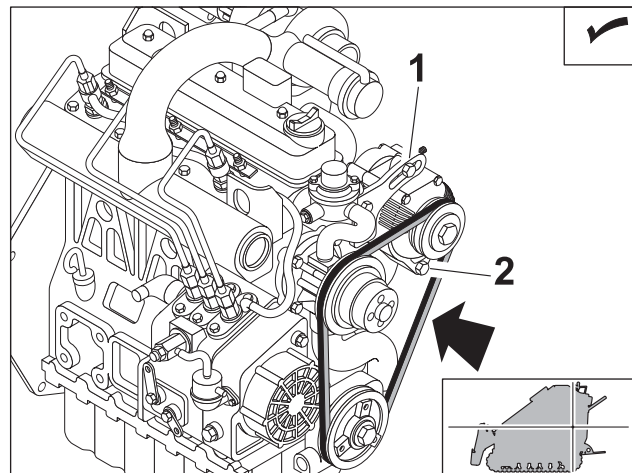
t46om012w.eps

Check Fan Belt for Tension and Damage

Check belt tension every 150 hours. Belt is properly tensioned when it moves about 1/4-3/8" (7-9 mm) when pushed at the long span. Replace the belt when it is worn and sinks into the pulley groove.

Adjust Tension

1. Loosen two alternator bolts (shown).
2. Adjust position as needed.
3. Tighten bolts.
4. Check tension.



t18om048t.eps

300 Hour

Location	Task	Notes
	Check air intake line	1/4-1/3" (7-9 mm)
	Check hydraulic filter	
	Check lug nut torque	88-95 ft•lb (108-129 N•m)
	Check idler roller bearings	

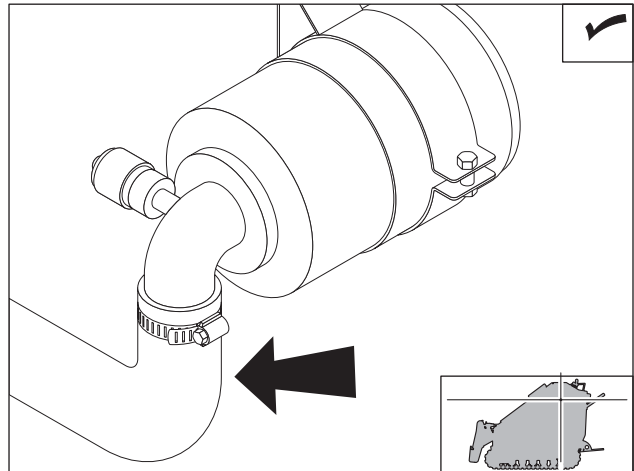
Check Intake Air Line

Check the intake air line every 300 hours.

NOTICE: Keep dust out of the intake air line to prevent damage to the engine.

If the clamp is loose, apply oil to the threads and retighten it.

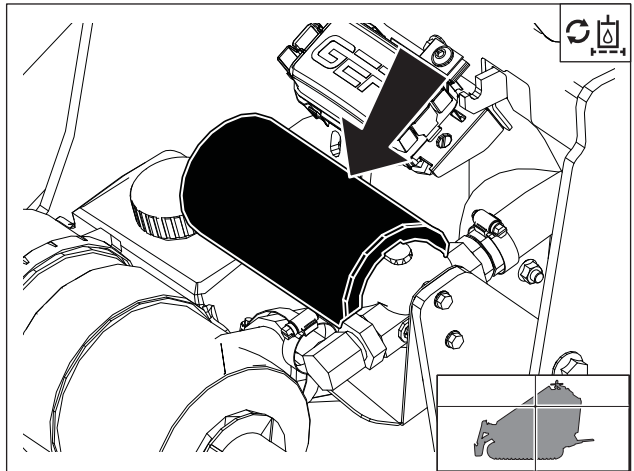
If the hose appears cracked or worn, replace it.



t18om056t.eps

Change Hydraulic Filter

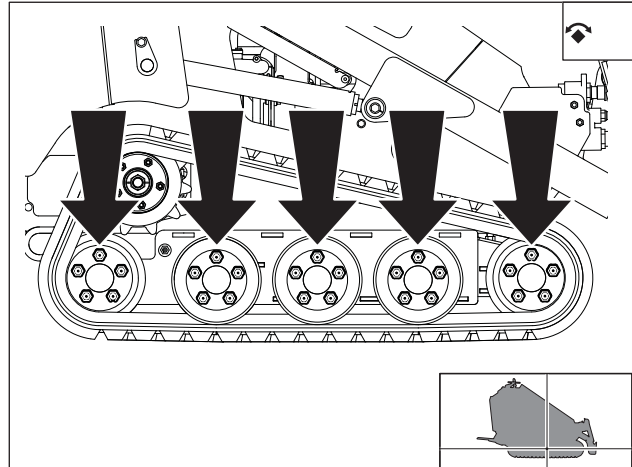
Change hydraulic filter every 300 hours.



t43om016w.eps

Check Lug Nut Torque

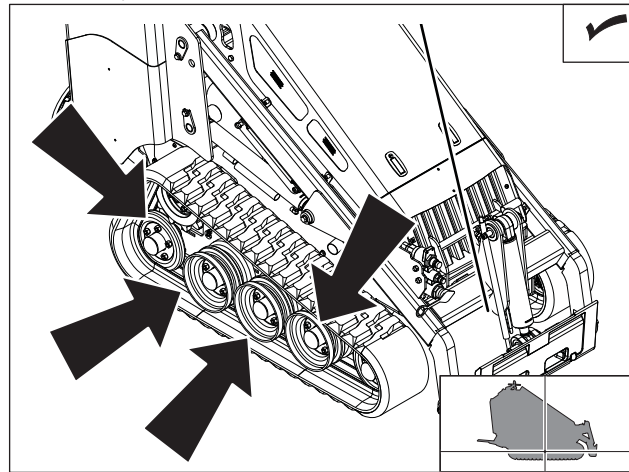
Check lug nut torque at initial intervals and every 200 hours thereafter. Tighten to 88-95 ft•lb (108-129 N•m) as needed.



t35om036w.eps

Check Idler Roller Bearings

Check for proper idler roller bearing positioning by lifting unit off of the ground and rocking each hub to check for movement. If adjustment is needed, see "Adjust Idler Roller Bearings" on page 75.



t43om027w.eps



600 Hour

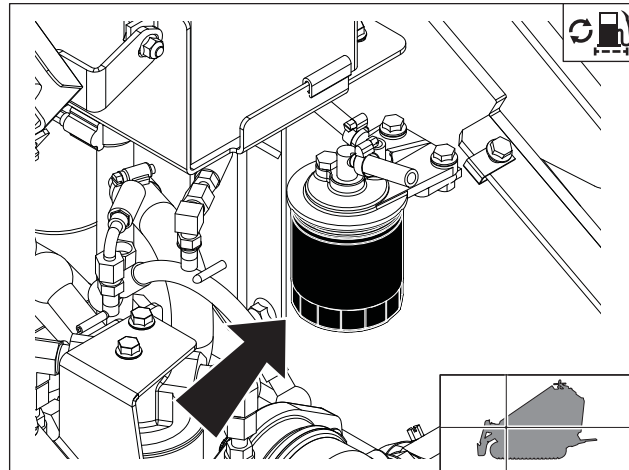
Location	Task	Notes
	Change fuel filter	
	Change hydraulic fluid and filter	
	Change fan belt	

Change Fuel Filter

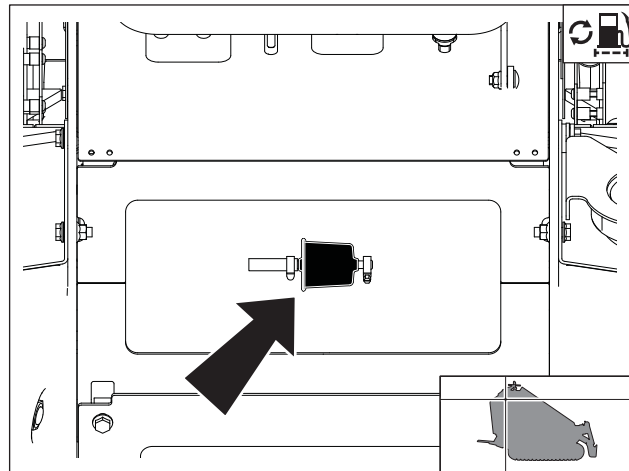
Change filters every 600 hours. If you refuel from cans, replace filter more often.

The canister filter is located in the engine compartment. The inline filter is located under the control console.

See parts manual or contact your Ditch Witch® dealer for correct replacement filter.



t35om028w.eps



t35om030w.eps

SK752 Operator's Manual

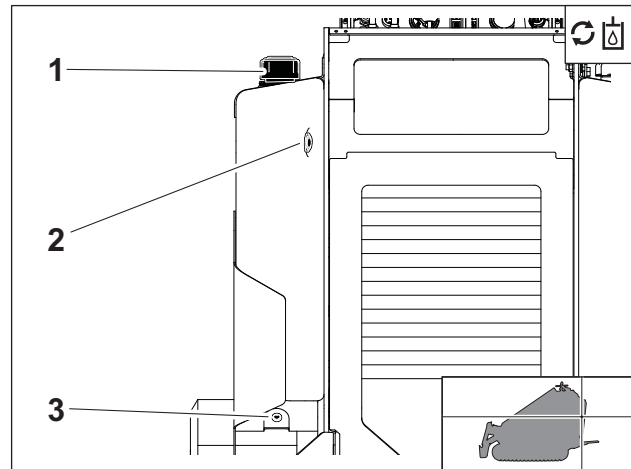
900 Hour

Service - 73

Change Hydraulic Fluid and Filter

Change hydraulic fluid and filter every 600 hours. Change every 250 hours if jobsite temperature exceeds 100°F (38°C) more than 50% of the time.

1. Remove drain plug (3).
2. Drain fluid and replace plug.
3. Change filter. See page 70.
4. Add THF at fill (1) until fluid level is at halfway point on sight glass (2). Capacity is 9.2 gal (35 L).



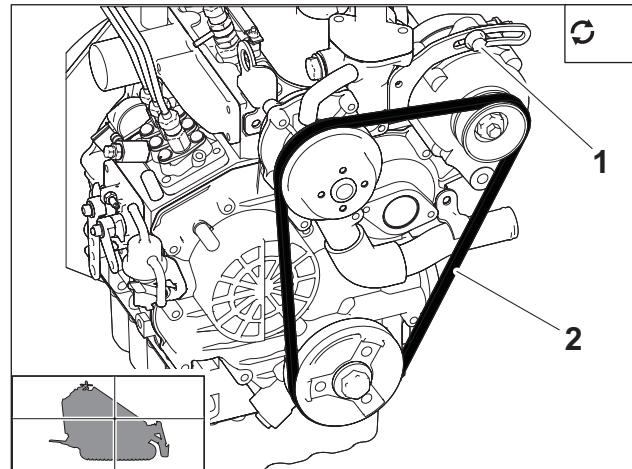
t35om029w.eps

Change Fan Belt

Change fan belt every 600 hours. Belt is properly tensioned when it moves about 1/4-3/8" (7-9 mm) when pushed at the long span (shown).

To change:

1. Loosen alternator bolt (1).
2. Replace fan belt (2). Adjust position as needed.
3. Tighten bolt.
4. Check tension.



t46om018w.eps

900 Hour

Adjust Valve Clearance

Adjust valve clearance every 900 hours.

To adjust, see a certified Kubota engine technician.

NOTICE: If valve clearance is adjusted by anyone other than a certified Kubota engine technician, engine warranties could be voided. Please see engine manual for more information.

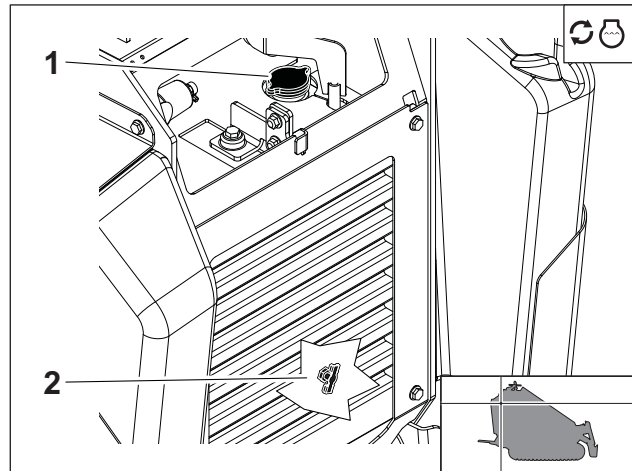
1200 Hour

Change Engine Coolant

Drain cooling system at drain (2). Add approved coolant at fill (1) every two years or 1200 hours.

NOTICE:

- The use of non-approved coolant may lead to engine damage or premature engine failure and will void engine warranty.
- See page 60 for list of approved coolants.



t35om031w.eps

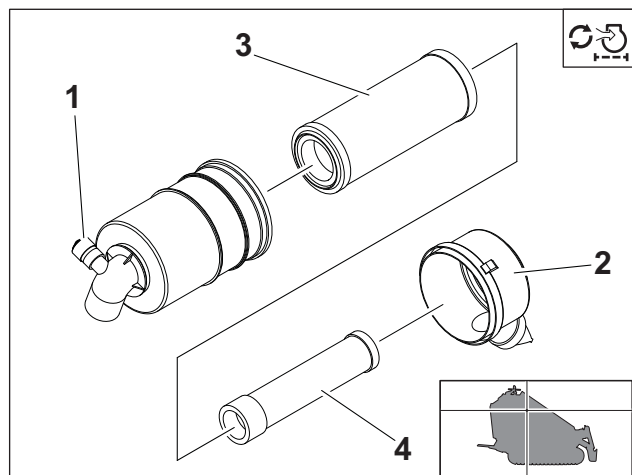
As Needed

Location	Task	Notes
	Change air filter	
	Adjust idler roller bearings	
	Check battery	
	Charge battery	

Change Air Filter

Change air filter when red band on indicator (1) is visible. Replace secondary element (4) every third change of primary filter (3) or any time primary element has become damaged.

1. Open air filter housing at latches (2).
2. Remove primary element (3).
3. Wipe inside of housing and end cup (2) and clean dust ejector valve.
4. Insert new secondary element, if necessary, and ensure it is seated correctly.
5. Insert new primary element.
6. Latch air filter case with dust ejector facing downward.
7. Reset air filter service indicator (1).



t35om032w.eps

SK752 Operator's Manual

As Needed

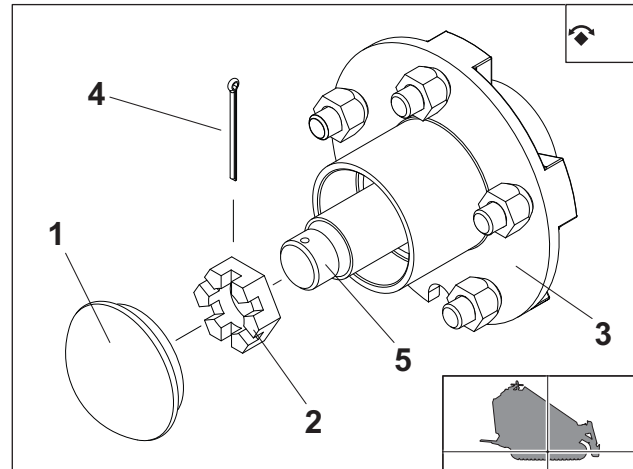
Service - 75

Adjust Idler Roller Bearings

Adjust idler roller bearings to keep dirt, grass, and other foreign matter from damaging bearings as needed when hubs become loose.

1. Release track tension. See "Check Track Tension" on page 64.
1. Remove dust cap (1).
2. Ensure bearings are properly seated by tightening castle nut (2) to 30-40 ft•lb (40.7-54.2 N•m) while turning the hub (3).

IMPORTANT: Do not move the hub after this step is completed.



3. Loosen the castle nut (2).
4. Hand-tighten the castle nut.
5. Insert the cotter pin (4) into the wheel spindle (5).

IMPORTANT: If cotter pin cannot be inserted, loosen the castle nut until it can be.

6. Bend the legs of the cotter pin over the top of the spindle.

IMPORTANT:

- When assembled correctly, the castle nut should be free to move by hand with only the cotter pin holding it in place.
- The hub should not have noticeable movement when rocked back and forth.

7. Clean the lip seal on the bearing cap and replace using Loctite® 242.
8. Adjust track tension.

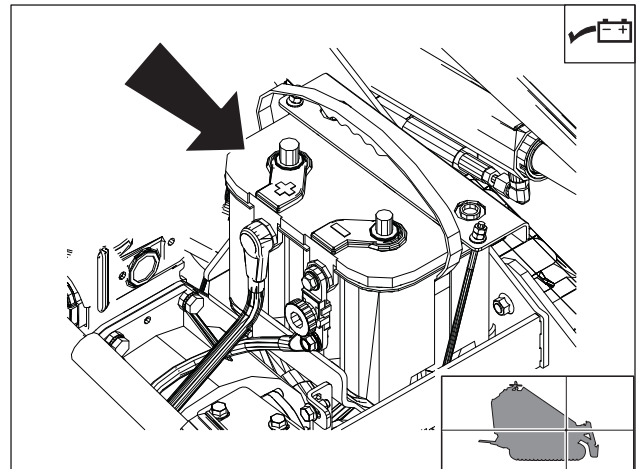


Check Battery

Check battery as needed. Keep battery clean and terminals free of corrosion.

To clean:

1. Turn battery disconnect switch, if equipped, to the off position.
2. Ensure that no ignition sources are near batteries.
3. Loosen and remove battery cable clamps carefully, **negative (-)** cable first.
4. Clean cable clamps and terminals to remove dull glaze.
5. Check for signs of internal corrosion in cables.
6. Connect battery cable clamps, **positive (+)** cable first.
7. Tighten any loose connections.
8. Ensure that battery tiedowns are secure.
9. Turn battery disconnect switch to the on position.



t46om007w.eps



WARNING Explosion possible. Serious injury or equipment damage could occur. Follow directions carefully.

To help avoid injury: Do not create sparks and do not short across battery terminals for any reason.

SK752 Operator's Manual As Needed

Service - 77

Charge Battery



WARNING Explosion possible. Serious injury or equipment damage could occur. Follow directions carefully.

To help avoid injury:

- Use a single 12V maximum source for charging. Do not connect to rapid chargers or dual batteries.
- Use caution and wear personal protective equipment such as safety eyewear, when charging or cleaning battery.
- Keep sparks, flames, and any ignition source away from batteries at all times. Internal contents are extremely hazardous. Leaking fluid is corrosive. Battery may be explosive at higher temperatures.
- NEVER lean over battery when making connections.
- Do not allow vehicles to touch when charging.
- Do not attempt to charge a battery that is leaking, bulging, heavily corroded, frozen, or otherwise damaged.
- NEVER short-circuit battery terminals for any reason or strike battery posts or cable terminals.
- Refer to MSDS for additional information regarding this battery.

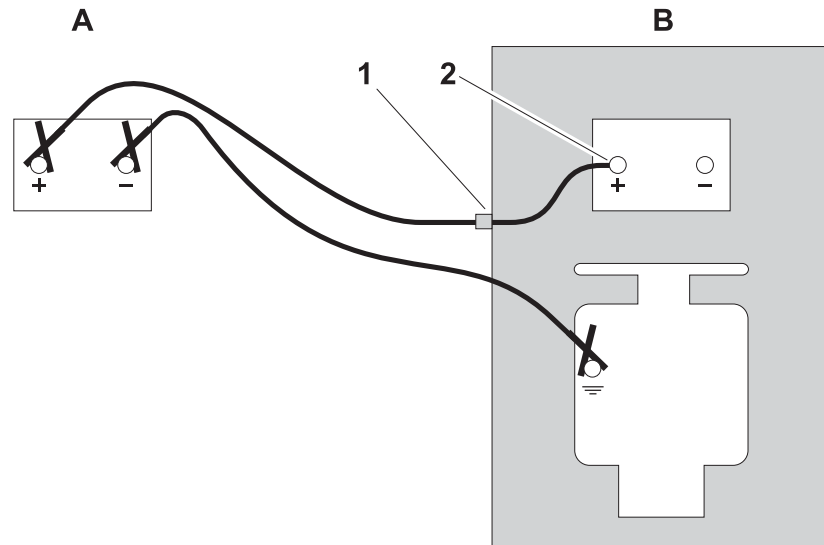
Before You Start

Electronic components can be easily damaged by electrical surges. Jump starting can damage electronics and electrical systems, and is not recommended. Try to charge the battery instead. Use quality large diameter jumper cables capable of carrying high currents (400 amps or more). Cheap cables may not allow enough current flow to charge a dead/discharged battery.

Read all steps thoroughly and review illustration before performing procedure.

Charging Procedure (Engine Off)

1. Park service vehicle close to disabled equipment but do not allow vehicles to touch. Engage parking brake in both vehicles.
2. Turn the ignition switch to the OFF position in both vehicles, and turn off all electrical loads. Disconnect the machine controller.



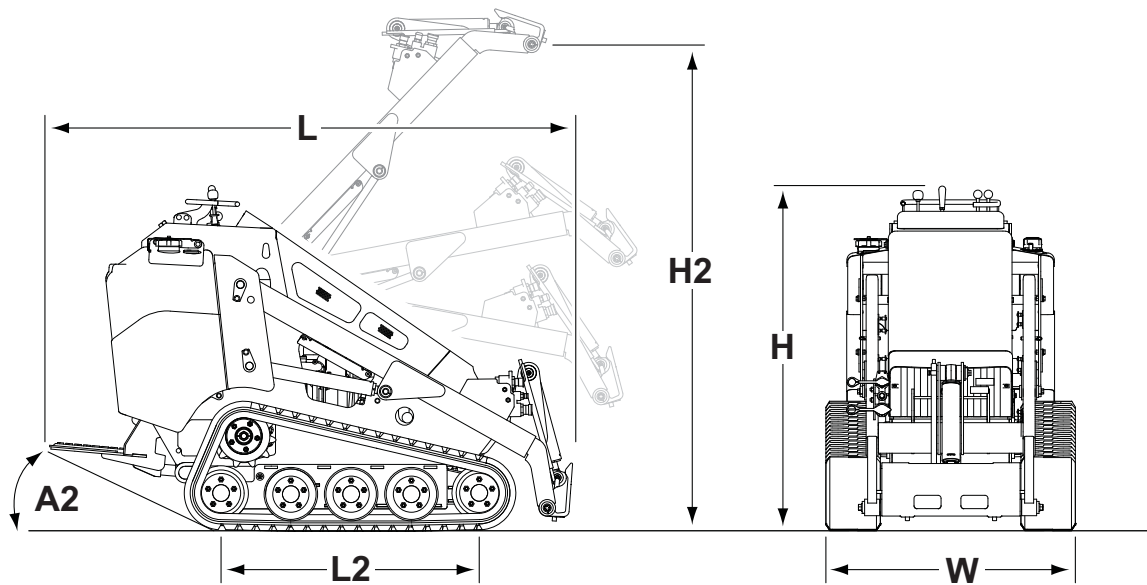
3. Inspect battery in disabled vehicle (B) for signs of cracking, bulging, leaking, or other damage. Connect red positive (+) jumper cable clamp to positive (+) post (2) of battery in disabled vehicle first.

IMPORTANT: Some equipment may have a positive jumper cable terminal (1) located externally. If so equipped, connect red positive (+) jumper cable clamp to terminal.

4. Connect the other red positive (+) jumper cable clamp to positive (+) post of battery (A) in the service vehicle.
5. Connect black negative (-) cable clamp to negative (-) post of battery (A) in service vehicle.
6. Connect the other black negative (-) cable clamp to the engine or frame ground on the disabled vehicle, at least 12" (305 mm) from the failed battery, as shown.
7. Operate service vehicle engine at 1500-2000 rpm for a few minutes to build an electrical charge in the failed battery.
8. Stop engine in service vehicle.
9. Remove jumper cables from the service vehicle, black negative (-) clamp first. Do not allow clamps to touch.
10. Remove black negative (-) cable clamp from the disabled engine or frame ground first.
11. Remove red positive (+) cable clamp from the disabled vehicle positive (+) battery post last.
12. Reconnect machine controller and try to start disabled vehicle.
13. If the disabled vehicle did not start, check for loose or corroded battery cable connections. Poor connections will prevent current from charging the failed battery. Clean terminals and posts if necessary and repeat steps above.

Specifications

SK752 Basic Unit



Dimensions		U.S.	Metric
H2	Hinge pin height, max	83 in	2108 mm
	Operating height, max, standard bucket	105 in	2667 mm
H	Overall height of machine	57 in	1450 mm
L	Overall length of loader, no attachment	86 in	2190 mm
	Overall length of machine, with standard bucket	105 in	2670 mm
L2	Wheelbase/track length	43 in	1.1 mm
A2	Angle of departure	27°	27°
	Ground clearance, min (center/side)	8.9 in / 3.7 in	170 mm / 124 mm
W	Track width, max	42 in	1065 mm
	Track width, min	36 in	914 mm
	Unit width, excluding tracks	35 in	890 mm
	Dump height, max, with standard bucket	66 in	1676 mm
	Reach, standard bucket at max dump height	17 in	430 mm

Specifications - 80

**SK752 Operator's Manual
SK752 Basic Unit**

Dimensions		U.S.	Metric
	Bucket rollback angle, ground level	25°	25°
	Bucket rollback angle, full height	90°	90°
	Dump angle, standard bucket at max dump height	35°	35°
	Bucket width, max	44 in	1120 mm
	Bucket width, min	36 in	915 mm
	Swing radius, max, with standard bucket	65 in	1650 mm
	Swing radius, no attachment	44 in	1120 mm
	Rear overhang, max	29 in	735 mm

Performance		U.S.	Metric
	Ground drive speed, forward and reverse	4.8 mph	7.7 km/h
	Ground pressure, 7" (180 mm) tracks *	5.2 psi	0.36bar
	Ground pressure, 9" (230 mm) tracks *	4.3 psi	0.29 bar
	Tipping capacity	2465 lb	1118 kg
	The rated operating capacity for this machine was determined using a standard bucket in the drive position with center of gravity 7 in (18 cm) from the mounting plate. Depending on the attachment, the actual operating capacity of the attachment may vary.		
	Operating capacity (35% of tipping capacity)	860 lb	390 kg
	Machine weight (fluids full)	2926 lb	1327 kg

* Includes machine weight, 175-lb (80-kg) bucket, 165-lb (75-kg) operator

Battery

SAE reserve capacity 110 min, SAE cold crank @ 0°F (-18°C) 800 amp, 12V electrical system

Fluid Capacities		U.S.	Metric
	Fuel tank	10.5 gal	40 L
	Engine oil, with filter	5.0 qt	4.7 L
	Hydraulic reservoir	9.2 gal	35 L

Specifications are called out according to SAE recommended practices. Specifications are general and subject to change without notice. If exact measurements are required, equipment should be weighed and measured. Due to selected options, delivered equipment may not necessarily match that shown.

SK752 Power Specifications

Power	U.S.	Metric
Engine: Kubota D1105, diesel, EPA Tier 4, EU Stage IIIa		
Number of cylinders	3	
Displacement	68.5 in ³	1.12 L
Bore	3.07 in	78 mm
Stroke	3.09 in	78.4 mm
Manufacturer's gross power rating (per SAE J1955)	24.8 hp	18.5 kW
Estimated net power rating (per SAE 1348)	23.1 hp	17.2 kW
Rated engine speed	3000 rpm	3000 rpm



Hydraulic System	U.S.	Metric
Auxiliary: double gear pump		
Flow rate (pump 1)	6.5 gpm	24 L/min
Flow rate (pump 2)	5.5 gpm	21 L/min
Pressure	3000 psi	207 bar
Ground drive: dual hydrostat		
Flow rate	15 gpm	56.8 L/min
Pressure	3625 psi	250 bar

Noise Levels
Operator 89 dBA sound pressure per ISO 6394
Exterior 100 dBA sound power per ISO 6393

Vibration Level
Average vibration transmitted to the operator's hand during normal operation with a loader bucket is 4.31 m/sec ² . Average vibration transmitted to the whole body during normal operation with a loader bucket is 1.07 m/sec ² . Actual vibration will depend upon the attachment being used.

Specifications are called out according to SAE recommended practices. Specifications are general and subject to change without notice. If exact measurements are required, equipment should be weighed and measured. Due to selected options, delivered equipment may not necessarily match that shown.

Countries in the European Union should have received a Declaration of Conformity (DOC) with this machine similar to the example below.

The Charles Machine Works, Inc.
PO Box 66
1959 West Fir Avenue
Perry, Oklahoma, USA 73077-0066
Phone: 580 572 xxxx
FAX: 580 572 3525

Declares that the product:

Model: **Ditch Witch® XXXX**
Type: **(machine type)**
Engine Power: **xxx kW**
Serial Number: **CMWXXXXXXXXXXXXXXXXXX**

Conforms to the requirements of:

2006/42/EC Machinery Directive
2014/30/EU Electromagnetic Compatibility Directive
2000/14/EC Noise Emission Directive

Measured sound power level (Annex V): **xxx dBA**
Guaranteed sound power level (Annex V): **xxx dBA**

The Technical Construction File is maintained at the manufacturer's location.

The manufacturer's European representative is:

Ditch Witch Barcelona
International Underground Systems, S.L.
C/EL PLA, 130 * Poligon Industrial El Pla
08980 Sant Feliu De Llobregat * Spain
Phone: +34 93 632 7344
FAX: +34 93 632 7343

Support

Procedure

Notify your dealer immediately of any malfunction or failure of Ditch Witch equipment.

Always give model, serial number, and approximate date of your equipment purchase. This information should be recorded and placed on file by the owner at the time of purchase.

Return damaged parts to dealer for inspection and warranty consideration if in warranty time frame.

Order genuine Ditch Witch replacement or repair parts from your authorized Ditch Witch dealer. Use of another manufacturer's parts may void warranty consideration.

Resources

Publications

Contact your Ditch Witch dealer for publications and videos covering safety, operation, service, and repair of your equipment.



Ditch Witch® Training

For information about on-site, individualized training, contact your Ditch Witch dealer.

Warranty

Ditch Witch® Equipment and Replacement Parts Limited Warranty Policy

Subject to the limitation and exclusions herein, free replacement parts will be provided at any authorized Ditch Witch dealership for any Ditch Witch equipment or parts manufactured by the Ditch Witch factory that fail due to a defect in material or workmanship within one (1) year of first commercial use. Free labor will be provided at any authorized Ditch Witch dealership for installation of parts under this warranty during the first year following "initial commercial" use of the serial-numbered Ditch Witch equipment on which it is installed. The customer is responsible for transporting their equipment to an authorized Ditch Witch dealership for all warranty work.

Exclusions from Product Warranty

- All incidental or consequential damages.
- All defects, damages, or injuries caused by misuse, abuse, improper installation, alteration, neglect, or uses other than those for which products were intended.
- All defects, damages, or injuries caused by improper training, operation, or servicing of products in a manner inconsistent with manufacturer's recommendations.
- All engines and engine accessories (these are covered by original manufacturer's warranty).
- Tires, belts, and other parts which may be subject to another manufacturer's warranty (such warranty will be available to purchaser).
- ALL IMPLIED WARRANTIES NOT EXPRESSLY STATED HEREIN, INCLUDING ANY WARRANTY OF FITNESS FOR A PARTICULAR PURPOSE AND MERCHANTABILITY.

IF THE PRODUCTS ARE PURCHASED FOR COMMERCIAL PURPOSES, AS DEFINED BY THE UNIFORM COMMERCIAL CODE, THEN THERE ARE NO WARRANTIES WHICH EXTEND BEYOND THE FACE HEREOF AND THERE ARE NO IMPLIED WARRANTIES OF ANY KIND WHICH EXTEND TO A COMMERCIAL BUYER. ALL OTHER PROVISIONS OF THIS LIMITED WARRANTY APPLY INCLUDING THE DUTIES IMPOSED.

Ditch Witch products have been tested to deliver acceptable performance in most conditions. This does not imply they will deliver acceptable performance in all conditions. Therefore, to assure suitability, products should be operated under anticipated working conditions prior to purchase.

Defects will be determined by an inspection within thirty (30) days of the date of failure of the product or part by Ditch Witch Product Support (DWPS) or its authorized dealer. DWPS will provide the location of its inspection facilities or its nearest authorized dealer upon inquiry. DWPS reserves the right to supply remanufactured replacement parts under this warranty as it deems appropriate.

Extended warranties are available upon request from your local Ditch Witch dealer or the Ditch Witch factory.

Some states do not allow exclusion or limitation of incidental or consequential damages, so above limitation of exclusion may not apply. Further, some states do not allow exclusion of or limitation of how long an implied warranty lasts, so the above limitation may not apply. This limited warranty gives product owner specific legal rights and the product owner may also have other rights which vary from state to state.

For information regarding this limited warranty, contact the DWPS department, P.O. Box 66, Perry, OK 73077-0066, or contact your local dealer.

First version: 1/91; Latest version: 8/16

**A Note To
Ditch Witch
Equipment Owners:**

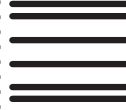
If your equipment was purchased through a Ditch Witch dealer, there is no need to read further.

However, if you purchased from any other source, please fill out the form on the reverse side and return it to us.

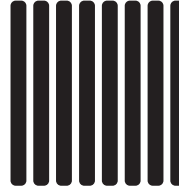
This will enable you to receive updates on this equipment as well as information on new products of interest.

Thanks for using Ditch Witch equipment.

(Please Fold Along This Line And Seal At Bottom With Tape)



NO POSTAGE
NECESSARY
IF MAILED
IN THE
UNITED STATES



BUSINESS REPLY MAIL

FIRST CLASS PERMIT NO. 23 PERRY OKLAHOMA

POSTAGE WILL BE PAID BY

**The Charles Machine Works, Inc.
P.O. Box 66
Perry, Oklahoma 73077-9989**



**A Note To
Ditch Witch
Equipment Owners:**

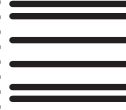
If your equipment was purchased through a Ditch Witch dealer, there is no need to read further.

However, if you purchased from any other source, please fill out the form on the reverse side and return it to us.

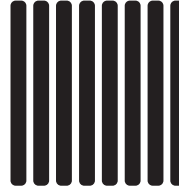
This will enable you to receive updates on this equipment as well as information on new products of interest.

Thanks for using Ditch Witch equipment.

(Please Fold Along This Line And Seal At Bottom With Tape)



NO POSTAGE
NECESSARY
IF MAILED
IN THE
UNITED STATES



BUSINESS REPLY MAIL

FIRST CLASS PERMIT NO. 23 PERRY OKLAHOMA

POSTAGE WILL BE PAID BY

**The Charles Machine Works, Inc.
P.O. Box 66
Perry, Oklahoma 73077-9989**





Ditch Witch® Registration Card

Please Type or Print All Information

Purchaser's Company Name		
Attention		
Street Address or P.O. Box		
City	County	
State	Zip	Nation
()		
Phone Number With Area Code		
Model	Serial Number	
Attachments/Accessories	Serial Numbers	
Attachments/Accessories	Serial Numbers	
Attachments/Accessories	Serial Numbers	
Attachments/Accessories	Serial Numbers	
Name of Ditch Witch Dealership		
Your Signature		

Ditch Witch® Registration Card

Please Type or Print All Information

Purchaser's Company Name		
Attention		
Street Address or P.O. Box		
City	County	
State	Zip	Nation
()		
Phone Number With Area Code		
Model	Serial Number	
Attachments/Accessories	Serial Numbers	
Attachments/Accessories	Serial Numbers	
Attachments/Accessories	Serial Numbers	
Attachments/Accessories	Serial Numbers	
Name of Ditch Witch Dealership		
Your Signature		

